

Seal Welded

Style BVS2 (NPT)	2
CS Technical Data 2200 PSI ¼” - 4”	3
316SS Technical Data 2160 PSI ¼” - 4”	3
Style BVS2 (MNPT x FNPT).....	4
CS Technical Data 2200 PSI ¼” - 4”	5
316SS Technical Data 2160 PSI ¼” - 4”	5
Style BVSC (NPT or SW)	6
CS Technical Data 2200 PSI ¼” - 2”	7
316SS Technical Data 2160 PSI ¼” - 2”	7
Style BVS3 (NPT or SW).....	8
CS Technical Data 3705 PSI ¼” - 2”	9
316SS Technical Data 3600 PSI ¼” - 2”	9
Style BVS6 (NPT or Socket Weld).....	10
CS Technical Data 6170 PSI ¼” - 2”	11
316SS Technical Data 6000 PSI ¼” - 2”	11

2-Piece Bolted Body Design

Style BVM2 (NPT).....	12
CS Technical Data 3000 PSI ¼” - 1”	13
316SS Technical Data 3000 PSI ¼” - 1”	13

3-Piece Maintenance Design

Style BVM3 (NPT, SW, BW, Ext. SW or Ext. BW).....	14
CS Technical Data 1973 PSI ¼” - 2½”	15
316SS Technical Data 1920 PSI ¼” - 2½”	15

Unibody

Style BV12 (NPT).....	14
CS Technical Data 2000 PSI ¼” - 2”	17
316SS Technical Data 2000 PSI ¼” - 2”	17
Style BVF1 (Flanged).....	18
CS 150# Technical Data 285 PSI ½” - 1”	19
CS 300# Technical Data 740 PSI ½” - 1”	19
316SS 150# Technical Data 275 PSI ½” - 1”	19
3316SS 300# Technical Data 720 PSI ½” - 1”	19
Style BVF1 (Flanged).....	20
CS 150# Technical Data 285 PSI 1½” - 6”	21
CS 300# Technical Data 740 PSI 1½” - 6”	21
316SS 150# Technical Data 275 PSI 1½” - 6”	21
316SS 300# Technical Data 720 PSI 1½” - 6”	21

Split-Body

Style BVF2 (Flanged).....	22
CS 150# Technical Data 285 PSI ½” - 1”	23
CS 300# Technical Data 740 PSI ½” - 1”	23
316SS 150# Technical Data 275 PSI ½” - 1”	23
316SS 300# Technical Data 720 PSI ½” - 1”	23
Style BVF2 (Flanged).....	24
CS 150# Technical Data 285 PSI 1½” - 8”	25
CS 300# Technical Data 740 PSI 1½” - 6”	25
316SS 150# Technical Data 275 PSI 1½” - 8”	25
316SS 300# Technical Data 720 PSI 1½” - 6”	25
Style BVF2 (Flanged).....	26
CS 600# Technical Data 1480 PSI 1”	27
316SS 600# Technical Data 1440 PSI 1”	27
Style BVF2 (Flanged).....	28
CS 600# Technical Data 1480 PSI 1½” - 6”	29
316SS 600# Technical Data 1440 PSI 1½” - 6”	29

Style BVS2

Ball Valve

Carbon Steel (ASTM A 216, Grade WCB)

Stainless Steel (ASTM A 351, Grade CF8M)

NPT Ends



Seal Welded High Pressure Ball Valve

APPLICATIONS

Industrial and Oil/Gas piping applications where the safety of seal welded construction is desired, the high flow capacity of full bore design is required, and operating pressures are 2160 PSIG or lower.

CONSTRUCTION

Keckley Style BVS2 seal welded high pressure ball valves are constructed from investment cast ASTM grade materials that are NACE MR0175 compliant. They are machined to exacting specifications. Full seal welding of body to tailpiece eliminates the possibility of the tailpiece unthreading, leaking or “blowing out” in service. All valves are shell and seat tested in accordance with API 598.

FEATURES

- Seal Welded Construction
- API 607 6th Edition Fire-Safe
- Full Port - All Sizes
- All Models are NACE MR0175 Compliant
- Elongated Packing Gland for Ease of Access When Automated
- Standard ISO Actuator Mounting Pads on All Sizes
- Standard Locking Stainless Steel Handles
- Electrically Grounded Ball and Stem
- Optional PEEK Seats for High Temp Services
- Optional Oval Handles

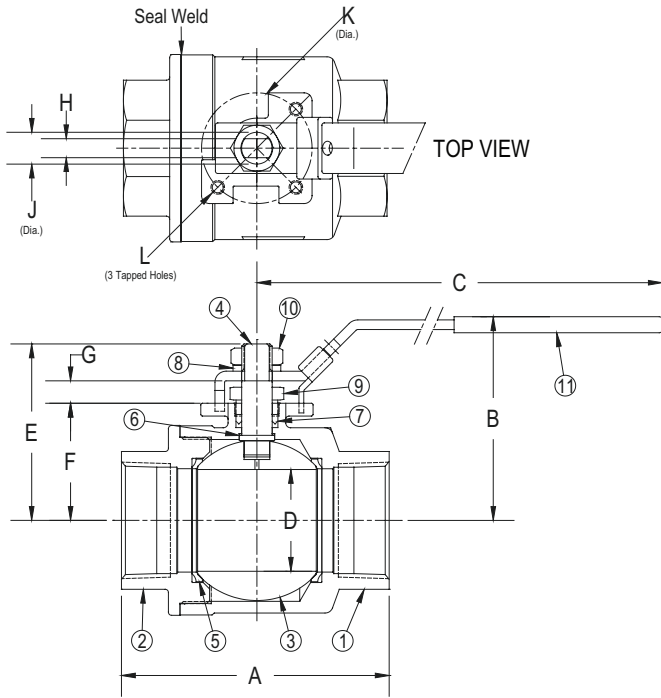
ORDERING

Reference *How to Order BVS2 Ball Valves* for building the Keckley Product Number.

WORKING PRESSURES - NON SHOCK

MATERIAL	MEDIA	¼" to 2"	8 mm to 50 mm
ASTM A 216, Grade WCB	W.O.G.	2220 PSI @ 100°F	15306 KPa @ 38°C
MATERIAL	MEDIA	¼" to 2"	8 mm to 50 mm
ASTM A 351, Grade CF8M	W.O.G.	2160 PSI @ 100°F	14893 KPa @ 38°C
MATERIAL	MEDIA	2-½" to 3"	65 mm to 80 mm
ASTM A 216, Grade WCB & ASTM A 351, Grade CF8M	W.O.G.	1500 PSI @ 100°F	10342 KPa @ 38°C
MATERIAL	MEDIA	4"	100 mm
ASTM A 216, Grade WCB & ASTM A 351, Grade CF8M	W.O.G.	1000 PSI @ 100°F	6895 KPa @ 38°C
MATERIAL	MEDIA	¼" to 4"	8 mm to 100 mm
ASTM A 216, Grade WCB & ASTM A 351, Grade CF8M	Saturated Steam (WSP)	200 PSI @ 388°F	1379 KPa @ 198°F

Note: Optional PEEK Seats WSP is 250 PSIG @ 406°F (1724 KPa @ 208°C)



Style BVS2

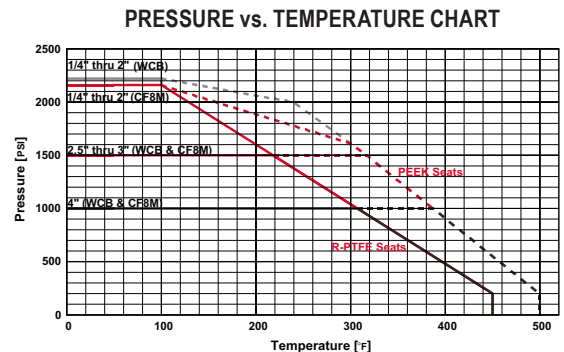
Seal Welded High Pressure Ball Valve
NPT Ends

PARTS LIST			
ITEM	DESCRIPTION	MATERIAL	
1	Body	A 216 Gr. WCB	A 351 Gr. CF8M
2	Tailpiece	A 216 Gr. WCB	A 351 Gr. CF8M
3	Ball	A 276 Gr. 316	A 276 Gr. 316
4	Stem	A 276 Gr. 316	A 276 Gr. 316
5	Seat (2) [†]	R-PTFE	R-PTFE
6	Thrust Washer	R-PTFE	R-PTFE
7	Stem Packing	Graphite	Graphite
8	Spring Washer	304SS	304SS
9	Packing Gland	A 276 Gr. 316	A 276 Gr. 316
10	Lock Nut	304SS	304SS
11	Handle	300 Series SS	300 Series SS
	Pipe*	A 283, CS	A 283, CS
	Handle Bolt*	304SS	304SS
	Bolt*	304SS	304SS

*Parts referenced are for a 4" size only [Not Shown].
†Optional PEEK Seats for High Temp Service are available.

SIZE		DIMENSIONS														WEIGHTS	
in	mm	A		B		C		D		E		F		G		lbs	kgs
1/4	8	2.6	66.0	2.2	55.9	5.1	129.5	0.43	11.0	1.53	38.86	0.92	23.37	0.21	5.33	1.0	0.5
3/8	10	2.6	66.0	2.2	55.9	5.1	129.5	0.43	11.0	1.53	38.86	0.92	23.37	0.21	5.33	1.0	0.5
1/2	15	2.6	66.0	2.2	55.9	5.1	129.5	0.50	12.7	1.53	38.86	0.92	23.37	0.21	5.33	1.0	0.5
3/4	20	2.9	73.7	2.8	71.1	5.7	144.8	0.81	20.5	2.26	57.40	1.30	33.02	0.37	9.40	1.7	0.8
1	25	3.4	86.4	3.0	76.2	5.7	144.8	1.00	25.4	2.49	63.25	1.47	37.34	0.41	10.41	2.7	1.2
1-1/4	32	3.8	96.5	3.6	91.4	7.3	185.4	1.25	31.8	2.92	74.17	1.77	44.96	0.44	11.18	3.9	1.8
1-1/2	40	4.3	109.2	3.8	96.5	7.8	198.1	1.50	38.1	3.18	80.77	2.02	51.31	0.44	11.18	5.9	2.7
2	50	4.8	121.9	4.4	111.8	7.8	198.1	2.00	50.0	3.64	92.46	2.38	60.45	0.55	13.97	9.5	4.3
2-1/2	65	6.5	165.1	5.0	127.0	13.9	353.1	2.50	63.5	4.33	109.98	2.88	73.15	0.55	13.97	17.0	7.7
3	80	7.2	182.9	5.4	137.2	13.9	353.1	3.00	76.0	4.73	120.14	3.27	83.06	0.55	13.97	25.1	11.4
4	100	8.4	213.4	7.3	185.4	18.0	457.2	4.00	100.0	5.94	150.88	4.63	117.60	0.55	13.97	44.1	20.0

SIZE		DIMENSIONS								ISO PATTERN
in	mm	H		J		K		L		
1/4	8	0.20	5.08	0.31	7.87	1.42	36.0	1/4"-20 UNC		
3/8	10	0.20	5.08	0.31	7.87	1.42	36.0	1/4"-20 UNC		
1/2	15	0.20	5.08	0.31	7.87	1.42	36.0	1/4"-20 UNC		
3/4	20	0.28	7.11	0.44	11.18	1.65	42.0	1/4"-20 UNC		
1	25	0.28	7.11	0.44	11.18	1.65	42.0	1/4"-20 UNC		
1-1/4	32	0.35	8.89	0.56	14.22	1.97	50.0	1/4"-20 UNC		
1-1/2	40	0.35	8.89	0.56	14.22	1.97	50.0	1/4"-20 UNC		
2	50	0.35	8.89	0.56	14.22	1.97	50.0	1/4"-20 UNC		
2-1/2	65	0.47	11.94	0.75	19.05	2.76	70.0	5/16"-18 UNC		
3	80	0.47	11.94	0.75	19.05	2.76	70.0	5/16"-18 UNC		
4	100	0.67	17.02	1.03	26.16	2.76	70.0	5/16"-18 UNC		



Certified dimensional drawings are available upon request.

†This table reflects only the nearest metric equivalents.

FLOW COEFFICIENTS

Size	C _v	Size	C _v	Size	C _v	Size	C _v
1/4"	10	3/4"	32	1-1/2"	140	3"	1100
3/8"	10	1"	62	2"	365	4"	2200
1/2"	18	1-1/4"	115	2-1/2"	450		

MAX TORQUE R-PTFE SEATS

Size	in/lb	Size	in/lb	Size	in/lb	Size	in/lb
1/4"	50	3/4"	120	1-1/2"	400	3"	1350
3/8"	50	1"	180	2"	600	4"	2200
1/2"	75	1-1/4"	300	2-1/2"	1050		

Style BVS2

Ball Valve

Carbon Steel (ASTM A 216, Grade WCB)

Stainless Steel (ASTM A 351, Grade CF8M)

MNPT x FNPT Ends

Seal Welded High Pressure Ball Valve

APPLICATIONS

Industrial and Oil/Gas piping applications where the safety of seal welded construction is desired, the high flow capacity of full bore design is required, and operating pressures are 2160 PSIG or lower.

CONSTRUCTION

Keckley Style BVS2 seal welded high pressure ball valves are constructed from investment cast ASTM grade materials that are NACE MR0175 compliant. They are machined to exacting specifications. Full seal welding of body to tailpiece eliminates the possibility of the tailpiece unthreading, leaking or “blowing out” in service. All valves are shell and seat tested in accordance with API 598.

FEATURES

- Seal Welded Construction
- API 607 6th Edition Fire-Safe
- Full Port - All Sizes
- All Models are NACE MR0175 Compliant
- Elongated Packing Gland for Ease of Access When Automated
- Standard ISO Actuator Mounting Pads on All Sizes
- Standard Locking Stainless Steel Handles
- Electrically Grounded Ball and Stem
- Optional PEEK Seats for High Temp Services
- Optional Oval Handles

ORDERING

Reference *How to Order BVS2 Ball Valves* for building the Keckley Product Number.

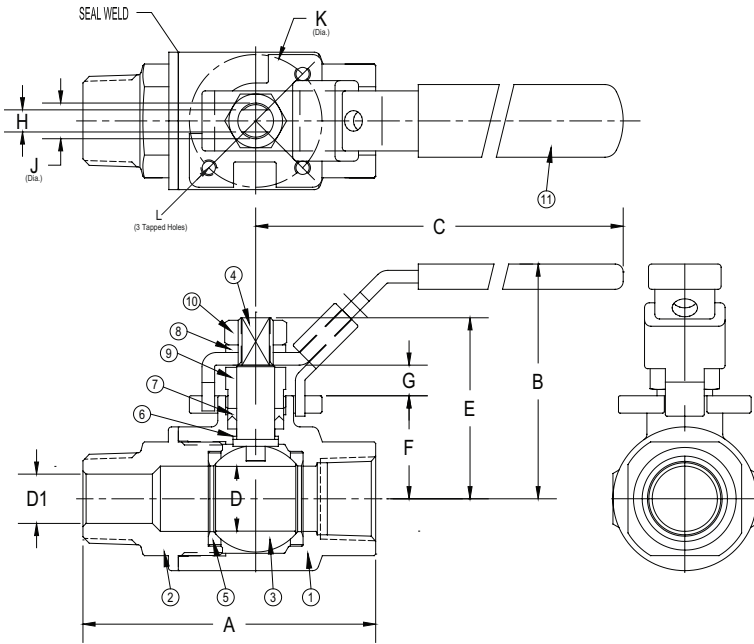
WORKING PRESSURES - NON SHOCK

MATERIAL	MEDIA	¼" to 1"	8 mm to 25 mm
ASTM A 216, Grade WCB	W.O.G.	2220 PSI @ 100°F	15306 KPa @ 38°C
MATERIAL	MEDIA	¼" to 1"	8 mm to 25 mm
ASTM A 351, Grade CF8M	W.O.G.	2160 PSI @ 100°F	14893 KPa @ 38°C

Note: Optional PEEK Seats WSP is 250 PSIG @ 406°F (1724 KPa @ 208°C)

Style BVS2

Seal Welded High Pressure Ball Valve
MNPT x FNPT Ends



PARTS LIST			
ITEM	DESCRIPTION	MATERIAL	
1	Body	A 216 Gr. WCB	A 351 Gr. CF8M
2	Tailpiece	A 216 Gr. WCB	A 351 Gr. CF8M
3	Ball	A 276 Gr. 316	A 276 Gr. 316
4	Stem	A 276 Gr. 316	A 276 Gr. 316
5	Seat (2) [†]	R-PTFE	R-PTFE
6	Thrust Washer	R-PTFE	R-PTFE
7	Stem Packing	Graphite	Graphite
8	Spring Washer	304SS	304SS
9	Packing Gland	A 276 Gr. 316	A 276 Gr. 316
10	Lock Nut	304SS	304SS
11	Handle	300 Series SS	300 Series SS

[†]Optional PEEK Seats for High Temp Service are available.

SIZE		DIMENSIONS															
		A		B		C		D		D1		E		F		G	
in	mm	in	mm	in	mm	in	mm	in	mm	in	mm	in	mm	in	mm	in	mm
1/4	8	3.06	77.8	2.22	56.3	5.04	128.0	0.43	11.0	0.25	6.4	1.53	38.86	0.78	19.90	0.35	8.90
3/8	10	3.06	77.8	2.22	56.3	5.04	128.0	0.43	11.0	0.37	9.4	1.53	38.86	0.78	19.90	0.35	8.90
1/2	15	3.20	81.4	2.22	56.3	5.04	128.0	0.50	12.7	0.45	11.4	1.53	38.86	0.78	19.90	0.35	8.90
3/4	20	3.69	93.6	2.93	74.3	5.61	142.5	0.81	20.5	0.65	16.5	2.26	57.40	1.30	33.02	0.37	9.40
1	25	4.23	107.5	3.15	79.9	5.61	142.5	1.00	25.4	0.85	21.6	2.49	63.25	1.47	37.34	0.41	10.41

SIZE		DIMENSIONS								WEIGHTS	
		H		J		K		L	ISO	lbs	kgs
in	mm	in	mm	in	mm	in	mm	in	PATTERN		
1/4	8	0.20	5.08	0.31	7.87	1.42	36.0	1/4"-20 UNC	F03	1.0	0.5
3/8	10	0.20	5.08	0.31	7.87	1.42	36.0	1/4"-20 UNC	F03	1.0	0.5
1/2	15	0.20	5.08	0.31	7.87	1.42	36.0	1/4"-20 UNC	F03	1.0	0.5
3/4	20	0.28	7.11	0.44	11.18	1.65	42.0	1/4"-20 UNC	F04	1.7	0.8
1	25	0.28	7.11	0.44	11.18	1.65	42.0	1/4"-20 UNC	F04	2.7	1.2

Certified dimensional drawings are available upon request.

[†]This table reflects only the nearest metric equivalents.

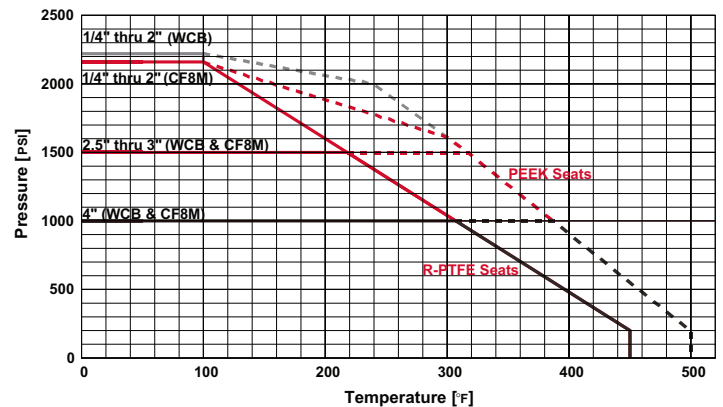
FLOW COEFFICIENTS

Size	C _v	Size	C _v	Size	C _v
1/4"	10	1/2"	18	1"	62
3/8"	10	3/4"	32		

MAX TORQUE R-PTFE SEATS

Size	in/lb	Size	in/lb	Size	in/lb
1/4"	50	1/2"	75	1"	180
3/8"	50	3/4"	120		

PRESSURE vs. TEMPERATURE CHART



Style BVSC

Ball Valve

Carbon Steel (ASTM A 216, Grade WCB)

Stainless Steel (ASTM A 351, Grade CF8M)

NPT or Socket Weld Ends



Seal Welded High Pressure Ball Valve ASME B16.34 Class 900

APPLICATIONS

Industrial and Oil/Gas applications where ASME B16.34 and/or API 608 Class 900 construction are required, especially in piping systems that must be compliant with the ASME B31 Piping Codes. Also, in any application requiring API 607 6th Edition Fire Safe certification or NACE compliance.

CONSTRUCTION

Keckley Style BVSC seal welded ball valves are full ported and constructed in either CF8M or WCB body materials, both with 316ss ball and stem. They benefit from heavier ASME compliant wall thickness in body and tailpiece, and carry full ASME Class 900 pressure ratings. The handle-ball-stem drivetrain complies with API 608 strength and safety factor requirements, as do bore diameters, seat ratings, and electrical grounding of ball and stem.

FEATURES

- Seal Welded Construction
- Fully Compliant to ASME B16.34 Class 900
- Fully Compliant to API 608
- API 607 6th Edition Fire-Safe
- Full Port - All Sizes
- All Models are NACE MR0175 Compliant
- Elongated Packing Gland for Ease of Access When Automated
- Standard ISO Actuator Mounting Pads on All Sizes
- Standard Locking Stainless Steel Handles
- Electrically Grounded Ball and Stem
- Optional PEEK Seats for High Temp Services
- Optional Oval Handles

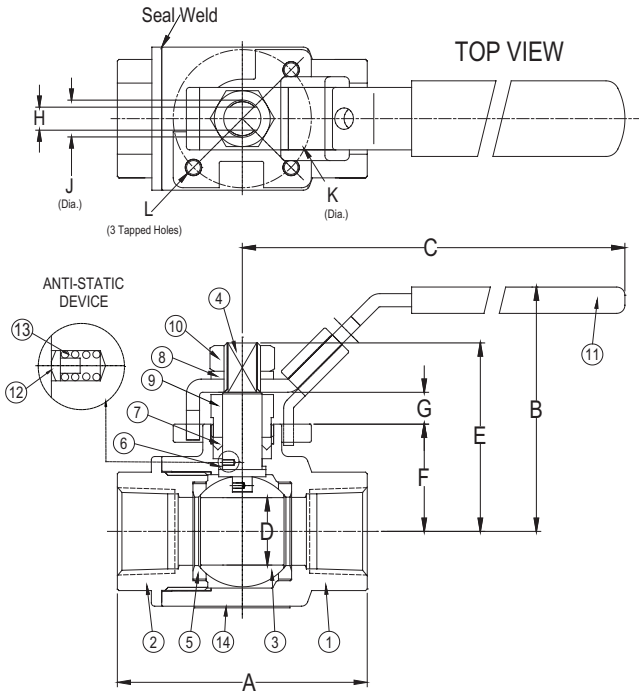
ORDERING

Reference *How to Order BVSC Ball Valves* for building the Keckley Product Number.

WORKING PRESSURES - NON SHOCK

MATERIAL	MEDIA	¼" to 2"	8 mm to 50 mm
ASTM A 216, Grade WCB	W.O.G.	2220 PSI @ 100°F	15306 KPa @ 38°C
MATERIAL	MEDIA	¼" to 2"	8 mm to 50 mm
ASTM A 351, Grade CF8M	W.O.G.	2160 PSI @ 100°F	14893 KPa @ 38°C
MATERIAL	MEDIA	¼" to 2"	8 mm to 50 mm
ASTM A 216, Grade WCB & ASTM A 351, Grade CF8M	Saturated Steam (WSP)	250 PSI @ 406°F	1724 KPa @ 208°F

Note: Optional PEEK Seats WSP is 250 PSIG @ 406°F (1724 KPa @ 208°C)



Style BVSC

Seal Welded High Pressure Ball Valve
NPT or Socket Weld Ends*

PARTS LIST			
ITEM	DESCRIPTION	MATERIAL	
1	Body	A 216 Gr. WCB	A 351 Gr. CF8M
2	Tailpiece	A 216 Gr. WCB	A 351 Gr. CF8M
3	Ball	A 276 Gr. 316	A 276 Gr. 316
4	Stem	A 276 Gr. 316	A 276 Gr. 316
5	Seat (2) [†]	R-PTFE	R-PTFE
6	Thrust Washer	R-PTFE	R-PTFE
7	Stem Packing	Graphite	Graphite
8	Spring Washer	304SS	304SS
9	Packing Gland	A 276 Gr. 316	A 276 Gr. 316
10	Lock Nut	304SS	304SS
11	Handle	300 Series SS	300 Series SS
12	Grounding Pin	316SS	316SS
13	Grounding Spring	304SS	304SS
14	Nameplate	304SS	304SS

*Note: Socket Weld Wnds require PEEK seats.
[†]Optional PEEK Seats for High Temp Service are available.

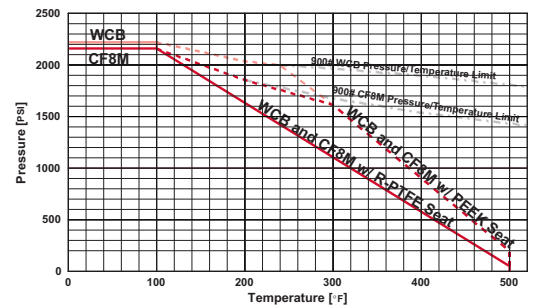
SIZE		DIMENSIONS														WEIGHTS	
		A		B		C		D		E		F		G			
in	mm	in	mm	in	mm	in	mm	in	mm	in	mm	in	mm	in	mm	lbs	kgs
1/4	8	2.7	68.6	2.2	55.9	5.1	129.5	0.43	11.0	1.53	38.86	0.92	23.37	0.21	5.33	1.0	0.5
3/8	10	2.7	68.6	2.2	55.9	5.1	129.5	0.43	11.0	1.53	38.86	0.92	23.37	0.21	5.33	1.0	0.5
1/2	15	2.7	68.6	2.2	55.9	5.1	129.5	0.50	12.7	1.53	38.86	0.92	23.37	0.21	5.33	1.0	0.5
3/4	20	3.0	76.2	2.8	71.1	5.7	144.8	0.81	20.5	2.26	57.40	1.30	33.02	0.37	9.40	2.0	0.9
1	25	3.7	94.0	3.1	78.7	5.7	144.8	1.00	25.4	2.49	63.25	1.47	37.34	0.41	10.41	3.7	1.7
1-1/4	32	4.0	101.6	3.6	91.4	7.3	185.4	1.25	31.8	2.92	74.17	1.77	44.96	0.44	11.18	4.7	2.1
1-1/2	40	4.5	114.3	3.8	96.5	7.8	198.1	1.50	38.1	3.18	80.77	2.02	51.31	0.48	12.19	6.7	3.0
2	50	5.0	127.0	4.4	111.8	7.8	198.1	2.00	50.0	3.64	92.46	2.38	60.45	0.55	13.97	11.1	5.0

Certified dimensional drawings are available upon request.
[†]This table reflects only the nearest metric equivalents.

SIZE		DIMENSIONS							ISO PATTERN
		H		J		K		L	
in	mm	in	mm	in	mm	in	mm	in	
1/4	8	0.20	5.08	0.31	7.87	1.42	36.0	1/4"-20 UNC	
3/8	10	0.20	5.08	0.31	7.87	1.42	36.0	1/4"-20 UNC	
1/2	15	0.20	5.08	0.31	7.87	1.42	36.0	1/4"-20 UNC	
3/4	20	0.28	7.11	0.44	11.18	1.65	42.0	1/4"-20 UNC	
1	25	0.28	7.11	0.44	11.18	1.65	42.0	1/4"-20 UNC	
1-1/4	32	0.35	8.89	0.56	14.22	1.97	50.0	1/4"-20 UNC	
1-1/2	40	0.35	8.89	0.56	14.22	1.97	50.0	1/4"-20 UNC	
2	50	0.35	8.89	0.56	14.22	1.97	50.0	1/4"-20 UNC	

Certified dimensional drawings are available upon request.
[†]This table reflects only the nearest metric equivalents.

PRESSURE vs. TEMPERATURE CHART



FLOW COEFFICIENTS

Size	C _v	Size	C _v	Size	C _v
1/4"	10	3/4"	32	1-1/2"	140
3/8"	10	1"	62	2"	365
1/2"	18	1-1/4"	115		

MAX TORQUE

Size	in/lb	Size	in/lb	Size	in/lb
1/4"	50	3/4"	120	1-1/2"	400
3/8"	50	1"	180	2"	600
1/2"	75	1-1/4"	300		

Style BVS3

Ball Valve

Carbon Steel (ASTM A 216, Grade WCB)

Stainless Steel (ASTM A 351, Grade CF8M)

NPT or Socket Weld Ends



Seal Welded High Pressure Ball Valve

APPLICATIONS

Industrial and Oil/Gas piping applications where the safety of seal welded construction is desired, any application that requires ASME B16.34 Class 1500 compliance and/or compliance with API 608, and operating pressures are 3600 PSIG or lower.

CONSTRUCTION

Keckley Style BVS3 seal welded high pressure ball valves are constructed from investment cast ASTM grade materials that are NACE MR0175 compliant. They are machined to exacting specifications. Full seal welding of body to tailpiece eliminates the possibility of the tailpiece unthreading, leaking or “blowing out” in service. All valves are shell and seat tested in accordance with API 598. ASME B16.34 Class 1500 compliance provides full conformance to ASME B31 Piping Codes.

FEATURES

- Seal Welded Construction
- Fully Compliant to ASME B16.34 Class 1500
- Fully Compliant to API 608
- API 607 6th Edition Fire-Safe
- Full and Reduced Port Sizes are available
- All Models are NACE MR0175 Compliant
- Elongated Packing Gland for Ease of Access When Automated
- Standard ISO Actuator Mounting Pads on All Sizes
- Standard Locking Stainless Steel Handles
- Electrically Grounded Stem
- Optional PEEK Seats for High Temp Services

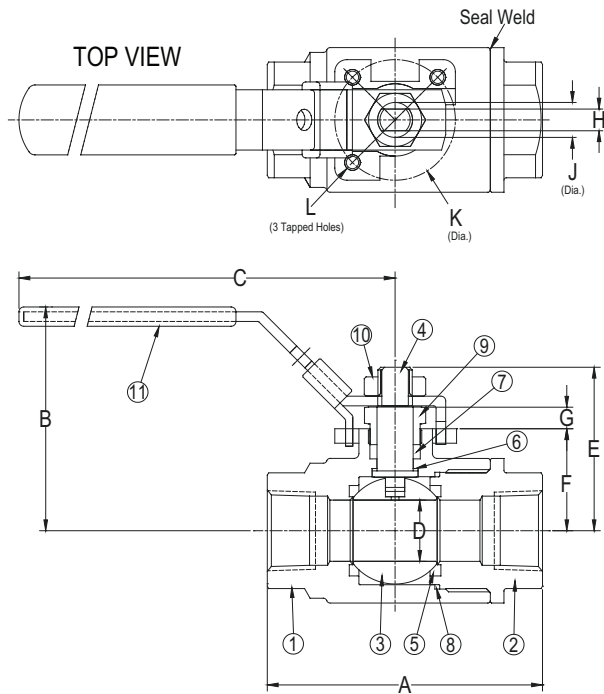
ORDERING

Reference *How to Order BVS3 Ball Valves* for building the Keckley Product Number.

WORKING PRESSURES - NON SHOCK

MATERIAL	MEDIA	1/4" to 2"	8 mm to 50 mm
ASTM A 216, Grade WCB	W.O.G.	3705 PSI @ 100°F	15306 KPa @ 38°C
	Saturated Steam (WSP)	Delrin AF Seats No Steam Rating	Delrin AF Seats No Steam Rating
		Optional PEEK Seats 250 PSI @ 406°F	Optional PEEK Seats 1724 KPa @ 208°C
MATERIAL	MEDIA	1/4" to 2"	8 mm to 50 mm
ASTM A 351, Grade CF8M	W.O.G.	3600 PSI @ 100°F	24821 KPa @ 38°C
	Saturated Steam (WSP)	Delrin AF Seats No Steam Rating	Delrin AF Seats No Steam Rating
		Optional PEEK Seats 250 PSI @ 406°F	Optional PEEK Seats 1724 KPa @ 208°C

Note: Optional PEEK Seats WSP is 250 PSIG @ 406°F (1724 KPa @ 208°C)



Style BVS3

Seal Welded High Pressure Ball Valve
NPT or Socket Weld Ends*

PARTS LIST			
ITEM	DESCRIPTION	MATERIAL	
1	Body	A 216 Gr. WCB	A 351 Gr. CF8M
2	Tailpiece	A 216 Gr. WCB	A 351 Gr. CF8M
3	Ball	A 276 Gr. 316	A 276 Gr. 316
4	Stem	A 276 Gr. 316	A 276 Gr. 316
5	Seat (2) [†]	Delrin AF	Delrin AF
6	Thrust Washer	Delrin AF	Delrin AF
7	Stem Packing	Graphite	Graphite
8	Body Seal	Graphite	Graphite
9	Packing Gland	A 276 Gr. 316	A 276 Gr. 316
10	Lock Nut	304SS	304SS
11	Handle	300 Series SS	300 Series SS

*Note: Socket Weld Ends require PEEK seats.
†Optional PEEK Seats for High Temp Service are available.

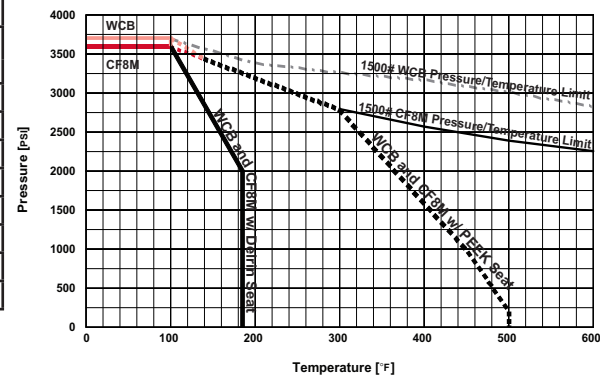
SIZE		DIMENSIONS												WEIGHTS			
		A		B		C		D		E		F				G	
in (Port)	mm	in	mm	in	mm	in	mm	in	mm	in	mm	in	mm	in	mm	lbs	kgs
1/4 (FP)	8	3.0	76.2	2.4	61.0	5.1	129.6	0.25	6.4	1.63	41.41	0.89	22.61	0.42	10.67	1.6	0.7
3/8 (RP)	10	3.0	76.2	2.4	61.0	5.1	129.6	0.25	6.4	1.63	41.41	0.89	22.61	0.42	10.67	1.6	0.7
1/2 (FP)	15	4.0	101.6	2.4	61.0	5.1	129.6	0.50	12.7	1.63	41.41	0.89	22.61	0.42	10.67	1.8	0.8
3/4 (FP)	20	4.3	109.3	3.0	76.2	5.6	142.3	0.75	19.1	2.22	56.39	1.29	32.77	0.42	10.67	3.1	1.4
1 (RP)	25	4.3	109.3	3.0	76.2	5.6	142.3	0.75	19.1	2.22	56.39	1.29	32.77	0.42	10.67	2.9	1.3
1 (FP)	32	4.5	114.3	3.5	88.9	7.4	188.0	1.00	25.4	2.80	71.12	1.65	41.91	0.43	10.93	4.4	2.0
1-1/2 (FP)	40	5.3	134.7	4.6	116.9	14.0	355.6	1.50	38.1	3.87	98.30	2.49	63.25	0.52	13.21	10.9	4.9
2 (RP)	50	6.3	160.1	4.6	116.9	14.0	355.6	1.50	38.1	3.87	98.30	2.49	63.25	0.52	13.21	12.3	5.6

Certified dimensional drawings are available upon request.
†This table reflects only the nearest metric equivalents.

SIZE		DIMENSIONS							ISO PATTERN
		H		J		K		L	
in (Port)	mm	in	mm	in	mm	in	mm	in	
1/4 (FP)	8	0.20	5.08	0.31	7.88	1.42	36.0	1/4"-20 UNC	
3/8 (RP)	10	0.20	5.08	0.31	7.88	1.42	36.0	1/4"-20 UNC	
1/2 (FP)	15	0.20	5.08	0.31	7.88	1.42	36.0	1/4"-20 UNC	
3/4 (FP)	20	0.28	7.12	0.44	11.18	1.65	42.0	1/4"-20 UNC	
1 (RP)	25	0.28	7.12	0.44	11.18	1.65	42.0	1/4"-20 UNC	
1 (FP)	32	0.35	8.89	0.56	14.23	1.97	50.0	1/4"-20 UNC	
1-1/2 (FP)	40	0.39	9.91	0.62	15.75	2.76	70.0	5/16"-18 UNC	
2 (RP)	50	0.39	9.91	0.62	15.75	2.76	70.0	5/16"-18 UNC	

Certified dimensional drawings are available upon request.
†This table reflects only the nearest metric equivalents.

PRESSURE vs. TEMPERATURE CHART



FLOW COEFFICIENTS

Size (Port)	C _v	Size (Port)	C _v	Size (Port)	C _v
1/4" (FP)	10	3/4" (FP)	32	1-1/2" (FP)	140
3/8" (RP)	10	1" (RP)	45	2" (RP)	125
1/2" (FP)	16	1" (FP)	65		

MAX TORQUE

Size (Port)	in/lb (Delrin AF)	in/lb (PEEK)	Size (Port)	in/lb (Delrin AF)	in/lb (PEEK)	Size (Port)	in/lb (Delrin AF)	in/lb (PEEK)
1/4" (FP)	75	100	3/4" (FP)	120	270	1-1/2" (FP)	750	1200
3/8" (RP)	75	100	1" (RP)	200	270	2" (RP)	750	1200
1/2" (FP)	75	100	1" (FP)	400	700			

Style BVS6

Ball Valve

Carbon Steel (ASTM A 216, Grade WCB)

Stainless Steel (ASTM A 351, Grade CF8M)

NPT or Socket Weld Ends



Seal Welded High Pressure Ball Valve

APPLICATIONS

Industrial and Oil/Gas piping applications where the safety of seal welded construction is desired, any application that requires ASME B16.34 Class 2500 compliance and/or compliance with API 608, and operating pressures are 6000 PSIG or lower.

CONSTRUCTION

Keckley Style BVS6 seal welded high pressure ball valves are constructed from investment cast ASTM grade materials that are NACE MR0175 compliant. They are machined to exacting specifications. Full seal welding of body to tailpiece eliminates the possibility of the tailpiece unthreading, leaking or “blowing out” in service. All valves are shell and seat tested in accordance with API 598. ASME B16.34 Class 2500 compliance provides full conformance to ASME B31 Piping Codes.

FEATURES

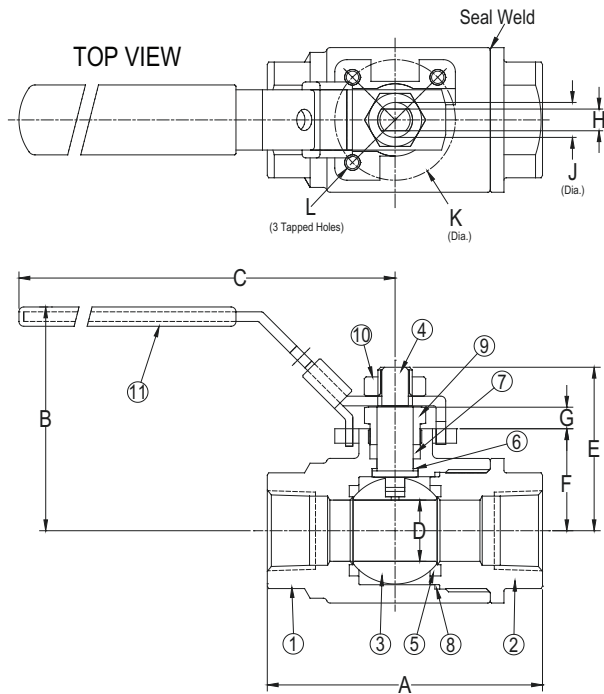
- Seal Welded Construction
- Fully Compliant to ASME B16.34 Class 2500
- Fully Compliant to API 608
- API 607 6th Edition Fire-Safe
- Full and Reduced Port Sizes are available
- All Models are NACE MR0175 Compliant
- Elongated Packing Gland for Ease of Access When Automated
- Standard ISO Actuator Mounting Pads on All Sizes
- Standard Locking Stainless Steel Handles
- Electrically Grounded Stem
- Optional PEEK Seats for High Temp Services

ORDERING

Reference *How to Order BVS6 Ball Valves* for building the Keckley Product Number.

WORKING PRESSURES - NON SHOCK

MATERIAL	MEDIA	¼" to 2"	8 mm to 50 mm
ASTM A 216, Grade WCB	W.O.G.	6170 PSI @ 100°F	42541 KPa @ 38°C
	Saturated Steam (WSP)	250 PSI @ 406°F	1724 KPa @ 208°C
MATERIAL	MEDIA	¼" to 2"	8 mm to 50 mm
ASTM A 351, Grade CF8M	W.O.G.	6000 PSI @ 100°F	41369 KPa @ 38°C
	Saturated Steam (WSP)	250 PSI @ 406°F	1724 KPa @ 208°C



Style BVS6

Seal Welded High Pressure Ball Valve
NPT or Socket Weld Ends.

PARTS LIST			
ITEM	DESCRIPTION	MATERIAL	
1	Body	A 216 Gr. WCB	A 351 Gr. CF8M
2	Tailpiece	A 216 Gr. WCB	A 351 Gr. CF8M
3	Ball	A 276 Gr. 316	A 276 Gr. 316
4	Stem	A 276 Gr. 316	A 276 Gr. 316
5	Seat (2)	PEEK	PEEK
6	Thrust Washer	PEEK	PEEK
7	Stem Packing	Graphite	Graphite
8	Body Seal	Graphite	Graphite
9	Packing Gland	A 276 Gr. 316	A 276 Gr. 316
10	Lock Nut	304SS	304SS
11	Handle	300 Series SS	300 Series SS

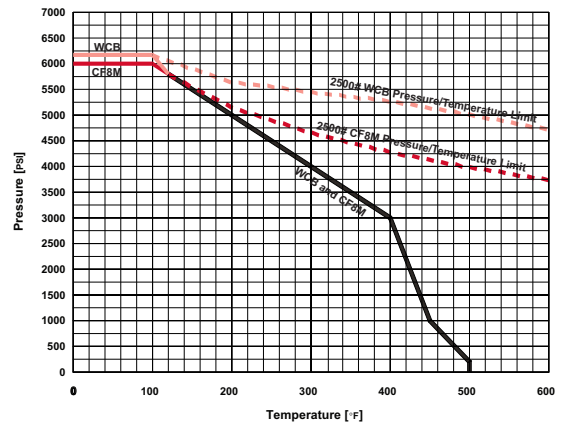
SIZE		DIMENSIONS														WEIGHTS	
		A		B		C		D		E		F		G			
in (Port)	mm	in	mm	in	mm	in	mm	in	mm	in	mm	in	mm	in	mm	lbs	kgs
1/4 (FP)	8	3.0	76.2	2.4	61.0	5.1	129.6	0.25	6.4	1.63	41.41	0.89	22.61	0.42	10.67	1.7	0.8
3/8 (RP)	10	3.0	76.2	2.4	61.0	5.1	129.6	0.25	6.4	1.63	41.41	0.89	22.61	0.42	10.67	1.7	0.8
1/2 (FP)	15	4.0	101.6	2.4	61.0	5.1	129.6	0.50	12.7	1.63	41.41	0.89	22.61	0.42	10.67	2.1	1.0
3/4 (FP)	20	4.3	109.3	3.0	76.2	5.6	142.3	0.75	19.1	2.22	56.39	1.29	32.77	0.42	10.67	3.5	1.6
1 (RP)	25	4.3	109.3	3.0	76.2	5.6	142.3	0.75	19.1	2.22	56.39	1.29	32.77	0.42	10.67	4.0	1.8
1 (FP)	32	4.5	114.3	3.5	88.9	7.4	188.0	1.00	25.4	2.80	71.12	1.65	41.91	0.43	10.93	6.0	2.7
1-1/2 (FP)	40	5.3	134.7	4.6	116.9	14.0	355.6	1.50	38.1	3.87	98.30	2.47	62.74	0.54	13.72	13.7	6.2
2 (RP)	50	6.3	160.1	4.6	116.9	14.0	355.6	1.50	38.1	3.87	98.30	2.47	62.74	0.54	13.72	16.5	7.5

Certified dimensional drawings are available upon request.
*This table reflects only the nearest metric equivalents.

SIZE		DIMENSIONS							ISO PATTERN
		H		J		K		L	
in (Port)	mm	in	mm	in	mm	in	mm	in	
1/4 (FP)	8	0.20	5.08	0.31	7.88	1.42	36.0	1/4"-20 UNC	
3/8 (RP)	10	0.20	5.08	0.31	7.88	1.42	36.0	1/4"-20 UNC	
1/2 (FP)	15	0.20	5.08	0.31	7.88	1.42	36.0	1/4"-20 UNC	
3/4 (FP)	20	0.28	7.12	0.44	11.18	1.65	42.0	1/4"-20 UNC	
1 (RP)	25	0.28	7.12	0.44	11.18	1.65	42.0	1/4"-20 UNC	
1 (FP)	32	0.35	8.89	0.56	14.23	1.97	50.0	1/4"-20 UNC	
1-1/2 (FP)	40	0.39	9.91	0.62	15.75	2.76	70.0	5/16"-18 UNC	
2 (RP)	50	0.39	9.91	0.62	15.75	2.76	70.0	5/16"-18 UNC	

Certified dimensional drawings are available upon request.
*This table reflects only the nearest metric equivalents.

PRESSURE vs. TEMPERATURE CHART



FLOW COEFFICIENTS

Size (Port)	C _v	Size (Port)	C _v	Size (Port)	C _v
1/4" (FP)	10	3/4" (FP)	32	1-1/2" (FP)	140
3/8" (RP)	10	1" (RP)	45	2" (RP)	125
1/2" (FP)	16	1" (FP)	65		

MAX TORQUE

Size (Port)	in/lb	Size (Port)	in/lb	Size (Port)	in/lb
1/4" (FP)	100	3/4" (FP)	270	1-1/2" (FP)	1200
3/8" (RP)	100	1" (RP)	270	2" (RP)	1200
1/2" (FP)	130	1" (FP)	700		

Style BVM2

Ball Valve

Carbon Steel (ASTM A 216, Grade WCB)

Stainless Steel (ASTM A 351, Grade CF8M)

NPT Ends



2-Piece Bolted Body Ball Valve

APPLICATIONS

High pressure Oil & Gas and Industrial piping applications where the safety of bolted-body construction is required, and the ability to repair the valve is important. Operating pressures of 3000 PSIG and lower are suitable.

CONSTRUCTION

Keckley Style BVM2 two-piece ball valves are constructed from investment cast ASTM grade materials that are NACE MR0175 compliant. They are machined to exacting specifications. Two-piece bolted construction eliminates the possibility of the tailpiece unthreading, leaking or “blowing out” in service. All valves are shell and seat tested in accordance with API 598.

FEATURES

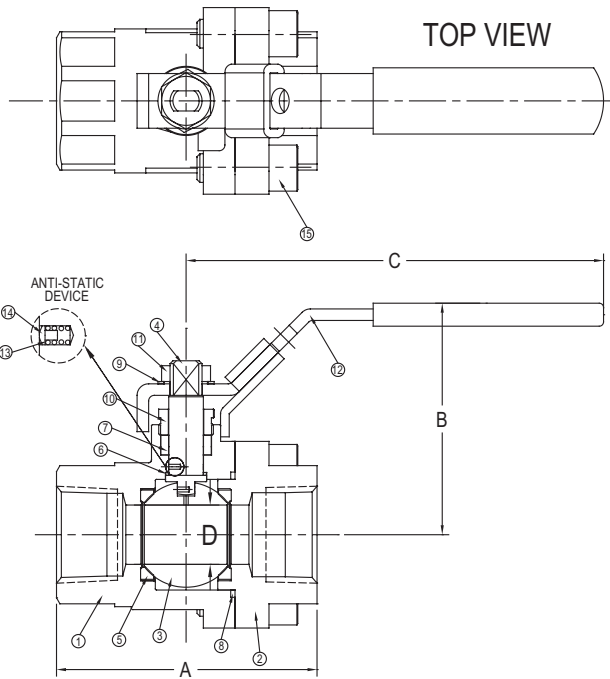
- 2-Piece, 4 Bolt Construction
- API 607 6th Edition Fire-Safe
- All Models are NACE MR0175 Compliant
- Plated Carbon Steel Locking Handles on WCB Valves
- 300 Series SS Locking Handles on CF8M Valves
- Electrically Grounded Ball & Stem
- Full or Reduced Port
- Optional PEEK Seats for High Temp Services
- Optional Oval Handles

ORDERING

Reference *How to Order BVM2 Ball Valves* for building the Keckley Product Number.

WORKING PRESSURES - NON SHOCK

MATERIAL	MEDIA	¼" to 1"	8 mm to 25 mm
ASTM A 216, Grade WCB & ASTM A 351, Grade CF8M	W.O.G.	3000 PSI @ 100°F	20684 KPa @ 38°C
MATERIAL	MEDIA	¼" to 1"	8 mm to 25 mm
ASTM A 216, Grade WCB & ASTM A 351, Grade CF8M	Saturated Steam (WSP)	200 PSI @ 388°F	1379 KPa @ 208°C



Style BVM2

2-Piece Ball Valve

NPT Ends

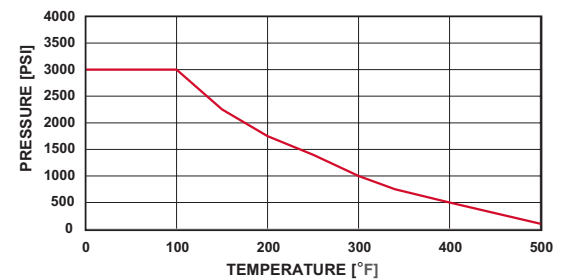
PARTS LIST			
ITEM	DESCRIPTION	MATERIAL	
1	Body	A 216 Gr. WCB	A 351 Gr. CF8M
2	Tailpiece	A 216 Gr. WCB	A 351 Gr. CF3M
3	Ball	A 276 Gr. 316	A 276 Gr. 316
4	Stem	A 276 Gr. 316	A 276 Gr. 316
5	Seat (2) [†]	R-PTFE	R-PTFE
6	Thrust Washer	R-PTFE	R-PTFE
7	Stem Packing	Graphite	Graphite
8	Body Seal	Graphite	Graphite
9	Spring Washer	Stainless Steel	Stainless Steel
10	Packing Gland	A 276 Gr. 316	A 276 Gr. 316
11	Lock Nut	A 276 Gr. 304	A 276 Gr. 304
12	Lock Handle	A 283 Gr. CS	300 Series SS
13	Spring	304 SS	304 SS
14	Plunger	316 SS	316 SS
15	Cap Bolt	A 193 B7	A 193 B7

[†]Optional PEEK Seats for High Temp Service are available.

SIZE		DIMENSIONS				Flow Coefficients	Max Torque	WEIGHTS
in (Port)	mm	A	B	C	D			
1/4 (FP)	8	2.76	2.42	5.00	0.43	10	70	1.6
1/2 (RP)	15	2.76	2.42	5.00	0.43	10	70	1.5
1/2 (FP)	15	2.76	2.42	5.00	0.50	18	90	1.6
3/4 (FP)	20	3.56	3.17	5.71	0.81	32	130	3.6
1 (RP)	25	3.56	3.17	5.71	0.81	32	130	3.4

Certified dimensional drawings are available upon request.

PRESSURE vs. TEMPERATURE CHART



Style BVM3

Ball Valve

Carbon Steel (ASTM A 216, Grade WCB)

Stainless Steel (ASTM A 351, Grade CF8M)

NPT, Socket Weld, Butt Weld,
Extended Socket Weld and
Extended Butt Weld Ends



3-Piece Maintenance Design Ball Valve

APPLICATIONS

Industrial and Oil/Gas piping applications where 3-Piece construction is desired/required to facilitate future maintenance and repair, weld-in applications requiring valve disassembly to protect internal components during the welding process, and applications that require ASME B16.34 and API 608 compliance leading to ASME B31.1 and B31.3 Code Compliance.

CONSTRUCTION

Keckley Style BVM3 3-Piece Maintenance Design Ball Valves employ investment cast ASTM Grade materials that are properly heat-treated and chemically finished to insure proper corrosion resistance, strength and NACE MR0175 compliance. The BVM3 series body bolts and threaded body center section insures superior body seal retention/sealing under high piping stress and elevated temperature applications. All sizes comply with ASME B16.34 and API 608 Standards for Class 800 service. Available extended socket weld and butt weld ends allow welding into the piping without disassembly. Each valve is tested to API 598, and all valves comply with API 607 6th Edition for Fire-Safe performance.

FEATURES

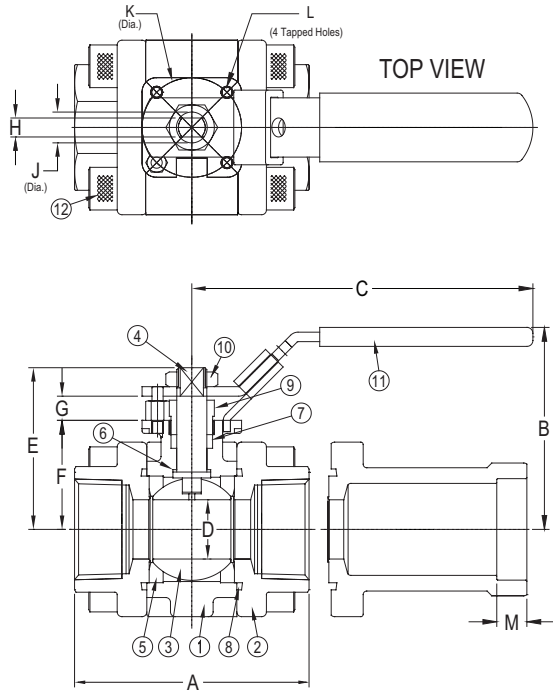
- 3-Piece Maintenance Design
- ASME B16.34 Class 800 Compliant
- API 608 Class 800 Compliant
- API 607 6th Edition Fire-Safe
- 1/4" - 2" Full Port and 1/2" - 2-1/2" Reduced Port Sizes Available
- All Models are NACE MR0175 Compliant
- Extended Packing Adjustment Nut for ease of adjustment
- ISO 5211 Actuator Mounting Pads on All Sizes
- Standard Locking Stainless Steel Handles
- Electrically Grounded Stem
- Optional PEEK Seats for Elevated Temperature Services
- Optional Locking Stainless Steel Oval Handles
- Extended Topworks Available

ORDERING

Reference *How to Order BVM3 Ball Valves* for building the Keckley Product Number.

WORKING PRESSURES - NON SHOCK

MATERIAL	MEDIA	1/4" to 2-1/2"	8 mm to 65 mm
ASTM A 216, Grade WCB	W.O.G.	1973 PSI @ 100°F	13603 KPa @ 38°C
MATERIAL	MEDIA	1/4" to 2-1/2"	8 mm to 65 mm
ASTM A 351, Grade CF8M	W.O.G.	1920 PSI @ 100°F	13238 KPa @ 38°C
MATERIAL	MEDIA	1/4" to 2-1/2"	8 mm to 65 mm
ASTM A 216, Grade WCB & ASTM A 351, Grade CF8M	Saturated Steam (WSP)	250 PSI @ 406°F	1724 KPa @ 208°C



Style BVM3

3-Piece Maintenance Design Ball Valve
NPT, Socket Weld, or Butt Weld Ends.

PARTS LIST			
ITEM	DESCRIPTION	MATERIAL	
1	Body	A 216 Gr. WCB	A 351 Gr. CF8M
2	Tailpiece (2)	A 216 Gr. WCB	A 351 Gr. CF3M
3	Ball	A 276 Gr. 316	A 276 Gr. 316
4	Stem	A 276 Gr. 316	A 276 Gr. 316
5	Seat (2) [†]	R-PTFE	R-PTFE
6	Thrust Washer	R-PTFE	R-PTFE
7	Stem Packing	Graphite	Graphite
8	Body Seal (2)	Graphite	Graphite
9	Packing Gland	A 276 Gr. 316	A 276 Gr. 316
10	Lock Nut	304SS	304SS
11	Handle	300 Series SS	300 Series SS
12	Body Bolts (8)	A 193, Grade B7	A 193, Grade B8

[†]Optional PEEK Seats for High Temp Service are available.

SIZE		DIMENSIONS													
		A NPT OR SW		A EXTENDED SW		B	C	D	E	F	G	H	J	K	L
Reduced Port	Full Port	Reduced Port	Full Port	Reduced Port	Full Port										
1/2	1/4, 3/8	2.7	2.7	6.0	N/A	2.5	4.3	0.43	1.71	1.08	0.31	0.197	0.31	1.42	1/4"-20 UNC
3/4	1/2	3.0	2.8	7.0	7.0	2.6	4.3	0.57	1.83	1.24	0.31	0.197	0.31	1.42	1/4"-20 UNC
1	3/4	3.5	3.2	7.5	7.5	3.0	5.7	0.81	2.34	1.50	0.37	0.276	0.44	1.65	1/4"-20 UNC
1-1/4	1	3.9	3.8	8.0	8.0	3.4	5.8	1.00	2.69	1.81	0.40	0.315	0.50	1.65	1/4"-20 UNC
1-1/2	1-1/4	4.5	4.3	8.0	8.0	3.7	7.5	1.25	2.91	1.95	0.43	0.394	0.62	1.97	1/4"-20 UNC
2	1-1/2	5.0	4.8	9.0	9.0	3.9	7.5	1.50	3.15	2.26	0.35	0.394	0.62	1.97	1/4"-20 UNC
2-1/2	2	6.9	5.7	N/A	10.0	5.3	11.7	2.00	4.37	3.11	0.49	0.472	0.75	2.76	5/16"-18 UNC

Certified dimensional drawings are available upon request.

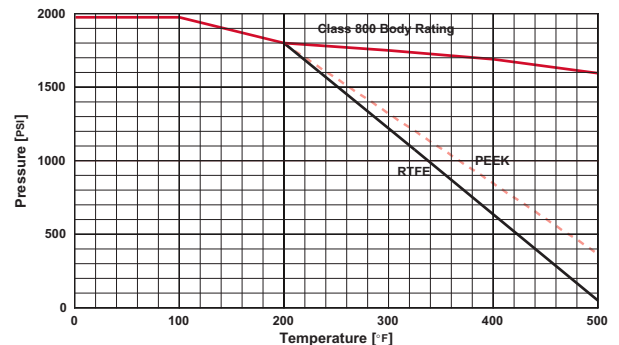
[†]This table reflects only the nearest metric equivalents.

SIZE		DIMENSIONS			WEIGHT (lbs)	FLOW COEFFICIENTS		MAX TORQUE in/lb
		M		ISO PATTERN		C _v		
Reduced Port	Full Port	Reduced Port	Full Port			Reduced Port	Full Port	
1/2	1/4, 3/8	0.38	N/A	F03	1.7	10	10	100
3/4	1/2	0.50	0.38	F03	2.2	25	22	200
1	3/4	0.50	0.50	F04	3.8	42	40	230
1-1/4	1	0.50	0.50	F04	5.1	55	62	250
1-1/2	1-1/4	0.50	0.50	F05	7.1	85	115	380
2	1-1/2	0.62	0.50	F05	9.8	120	140	520
2-1/2	2	N/A	0.62	F07	20.8	300	360	660

Certified dimensional drawings are available upon request.

[†]This table reflects only the nearest metric equivalents.

PRESSURE vs. TEMPERATURE CHART



Style BV12

Ball Valve

Carbon Steel (ASTM A 216, Grade WCB)

Stainless Steel (ASTM A 351, Grade CF8M)

NPT Ends



Unibody High Pressure Ball Valve

APPLICATIONS

Industrial and Oil/Gas applications where the safety of Unibody construction is desired, flow rate requirements are low to moderate and operating pressures are 2000 PSIG or lower.

CONSTRUCTION

Keckley Style BV12 Unibody high pressure ball valves are constructed from investment cast ASTM grade materials that are NACE MR0175 compliant. They are machined to exacting specifications. Unibody construction eliminates the possibility of the tailpiece unthreading, leaking or “blowing out” in service. All valves are shell and seat tested in accordance with API 598.

FEATURES

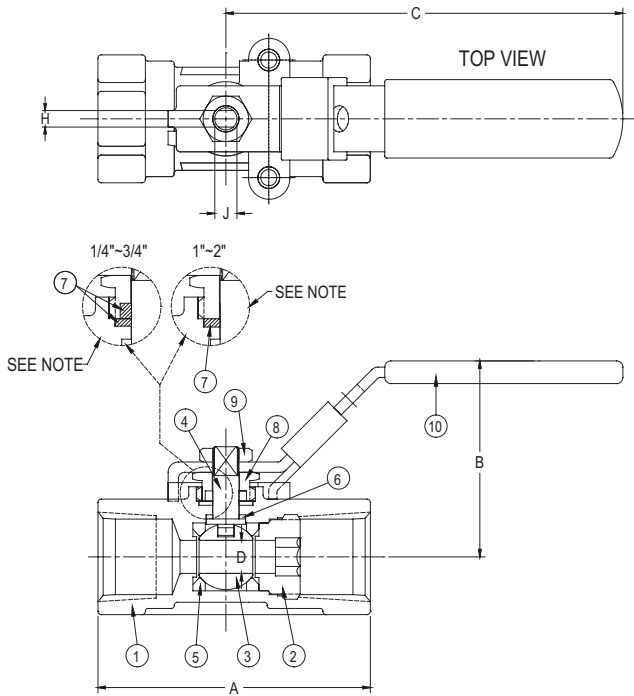
- Unibody Construction
- API 607 6th Edition Fire-Safe
- Double-Reduced Port on All Sizes
- All Models are NACE MR0175 Compliant
- Reinforced TFM (PTFE) Seats
- Standard Locking Handles
- Electrically Grounded Stem
- Optional Oval Handles

ORDERING

Reference *How to Order BV12 Ball Valves* for building the Keckley Product Number.

WORKING PRESSURES - NON SHOCK

MATERIAL	MEDIA	¼" to 2"	8 mm to 50 mm
A 216, WCB	W.O.G.	2000 PSI @ 100°F	13789 KPa @ 38°C
	Saturated Steam (WSP)	250 PSI @ 406°F	1724 KPa @ 208°C
MATERIAL	MEDIA	¼" to 2"	8 mm to 50 mm
A 351,CF8M	W.O.G.	2000 PSI @ 100°F	13789 KPa @ 38°C
	Saturated Steam (WSP)	250 PSI @ 406°F	1724 KPa @ 208°C



Style BV12

Unibody Ball Valve

NPT

PARTS LIST			
ITEM	DESCRIPTION	MATERIAL	
1	Body	A 216 Gr. WCB	A 351 Gr. CF8M
2	Spacer	A 216 Gr. WCB	A 351 Gr. CF8M
3	Ball	A 276 Gr. 316	A 276 Gr. 316
4	Stem	A 276 Gr. 316	A 276 Gr. 316
5	Seats (2)	R-PTFE	R-PTFE
6	Stem Seal	R-PTFE	R-PTFE
7	Stem Packing*	Graphite	Graphite
8	Packing Gland	A 276 Gr. 316	A 276 Gr. 316
9	Lock Nut	Carbon Steel	304SS
10	Handle	Carbon Steel	304SS

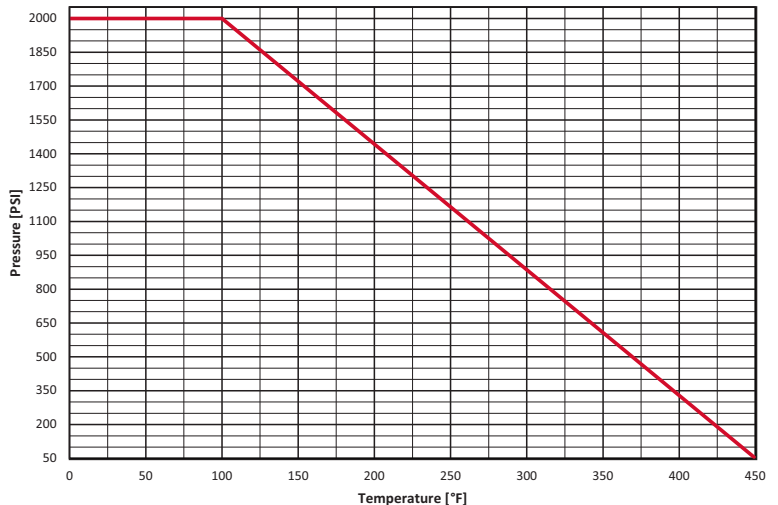
* Note: 1/4" - 3/4" Qty. 2pcs, 1" - 2" Qty. 1pc.

SIZE		DIMENSIONS						Flow Coefficients	Max Torque	WEIGHTS
in	mm	A	B	C	D	H	J	C _v	in/lb	lbs
1/4	8	2.28	1.91	4.29	0.31	0.16	0.25	4.0	60	0.7
3/8	10	2.28	1.91	4.29	0.31	0.16	0.25	4.0	60	0.7
1/2	15	2.60	1.91	4.29	0.31	0.16	0.25	4.0	60	0.7
3/4	20	2.83	2.17	4.29	0.47	0.20	0.31	8.0	75	1.0
1	25	3.23	2.57	5.83	0.62	0.28	0.44	14.0	150	1.6
1-1/4	32	3.54	2.72	5.83	0.81	0.28	0.44	19.0	180	2.3
1-1/2	40	3.86	3.46	7.36	1.00	0.35	0.56	33.0	300	3.3
2	50	4.33	3.64	7.36	1.25	0.35	0.56	51.0	400	4.7

Certified dimensional drawings are available upon request.

PRESSURE vs. TEMPERATURE CHART

R-PTFE SEATS



Style BVF1

Ball Valve

Carbon Steel (ASTM A 216, Grade WCB)

150 lb. & 300 lb. Flanged

Stainless Steel (ASTM A 351, Grade CF8M)

150 lb. & 300 lb. Flanged



Unibody Flanged Ball Valve

1/2" - 1"

APPLICATIONS

Industrial and Oil/Gas piping applications requiring ASME Class 150 or 300 flanged end ball valves with one-piece body construction.

CONSTRUCTION

The Keckley Style BVF1 Unibody flanged end ball valves are constructed from rugged investment castings that are machined to exacting specifications. Unibody construction provides high structural strength and minimizes external leak paths.

FEATURES

- Unibody Construction
- Fully Compliant to ASME B16.34
- Fully Compliant to API 608
- API 607 6th Edition Fire-Safe
- All Models are NACE MR0175 Compliant
- Elongated Packing Gland for Ease of Access When Automated
- Standard ISO Actuator Mounting Pads on All Sizes
- Standard Locking Stainless Steel Handles
- Second Generation PTFE Seats Provide Higher Operating Temperatures
- Standard Electrically Grounded Ball & Stem
- Optional Oval Handles

ORDERING

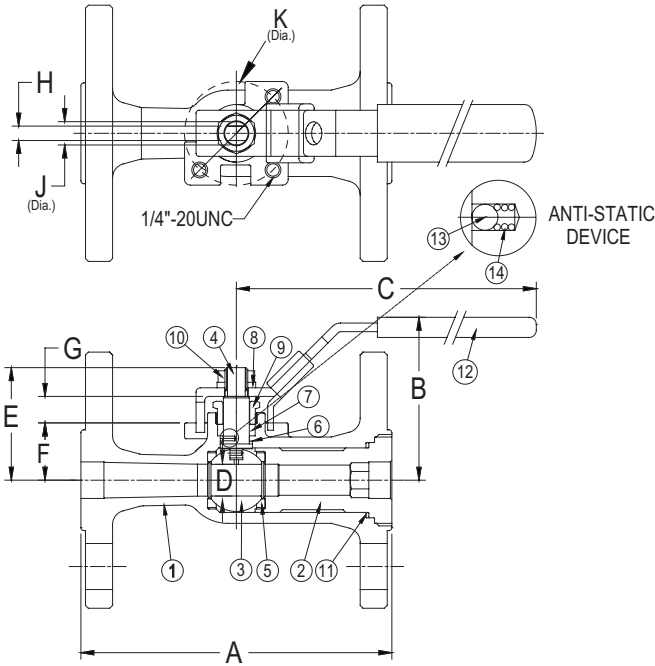
Reference *How to Order BVF1 Ball Valves* for building the Keckley Product Number.

WORKING PRESSURES - NON SHOCK

NOM. RATING	MATERIAL	MEDIA	1/2" to 1"	15 mm to 25 mm
ASME CLASS 150	A 216, WCB	W.O.G.	285 PSI @ 100°F	1965 KPa @ 38°C
		Saturated Steam (WSP)	200 PSI @ 388°F	1379 KPa @ 198°C
	MATERIAL	MEDIA	1/2" to 1"	15 mm to 25 mm
	A 351, CF8M	W.O.G.	275 PSI @ 100°F	1896 KPa @ 38°C
Saturated Steam (WSP)		195 PSI @ 386°F	1344 KPa @ 197°C	
NOM. RATING	MATERIAL	MEDIA	1/2" to 1"	15 mm to 25 mm
ASME CLASS 300	A 216, WCB	W.O.G.	740 PSI @ 100°F	5102 KPa @ 38°C
		Saturated Steam (WSP)	250 PSI @ 406°F	1724 KPa @ 208°C
	MATERIAL	MEDIA	1/2" to 1"	15 mm to 25 mm
	A 351, CF8M	W.O.G.	720 PSI @ 100°F	4964 KPa @ 38°C
Saturated Steam (WSP)		250 PSI @ 406°F	1724 KPa @ 208°C	

Style BVF1

Unibody Flanged Ball Valve



PARTS LIST			
ITEM	DESCRIPTION	MATERIAL	
1	Body	A 216, WCB	A 351, CF8M
2	Tailpiece	A 216, WCB	A 351, CF8M
3	Ball	A 351, CF8M or 316SS	A 351, CF8M or 316SS
4	Stem	A 276, 316	A 276, 316
5	Seat (2)	R-PTFE	R-PTFE
6	Thrust Washer	PTFE	PTFE
7	Stem Packing	Graphite	Graphite
8	Lock Washer	304SS	304SS
9	Packing Gland	A 276, 316	A 276, 316
10	Lock Nut	304SS	304SS
11	Body Gasket	Graphite	Graphite
12	Handle Assembly	300 Series SS	300 Series SS
13	Grounding Ball (2)	304SS	304SS
14	Grounding Spring (2)	304SS	304SS

SIZE		DIMENSIONS															
		A		B		C		D		E		F		G			
		150 lb.		300 lb.		150 lb. & 300 lb.		150 lb. & 300 lb.		150 lb. & 300 lb.		150 lb. & 300 lb.		150 lb. & 300 lb.			
in	mm	in	mm	in	mm	in	mm	in	mm	in	mm	in	mm	in	mm	in	mm
1/2	15	4.25	108.0	5.50	139.7	2.21	56.1	5.04	128.01	0.43	10.92	1.53	38.86	0.78	19.81	0.350	8.89
3/4	20	4.62	117.3	6.00	152.4	2.72	69.1	5.63	143.00	0.59	15.00	2.06	52.32	1.03	26.16	0.425	10.80
1	25	5.00	127.0	6.50	165.1	2.98	75.7	5.63	143.00	0.81	20.57	2.33	59.18	1.33	33.78	0.402	10.21

Certified dimensional drawings are available upon request.

†This table reflects only the nearest metric equivalents.

SIZE		DIMENSIONS								WEIGHTS			
		H		J		K		ISO PATTERN	150 lb.		300 lb.		
		in	mm	in	mm	in	mm		lbs	kgs	lbs	kgs	
1/2	15	0.20	5.08	0.31	7.87	1.42	36.0	F03	2.7	1.2	4.7	2.1	
3/4	20	0.28	7.11	0.44	11.18	1.65	42.0	F04	4.3	2.0	7.2	3.3	
1	25	0.28	7.11	0.44	11.18	1.65	42.0	F04	5.7	2.6	8.1	3.7	

Certified dimensional drawings are available upon request.

†This table reflects only the nearest metric equivalents.

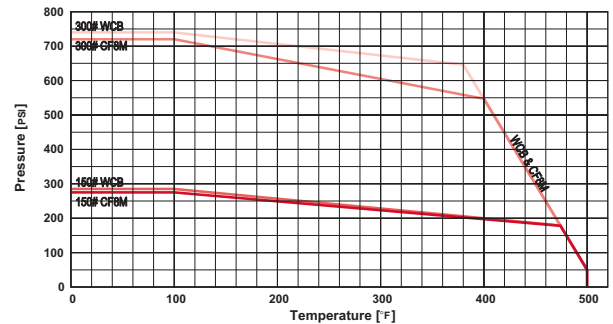
FLOW COEFFICIENTS

Size	C _v	Size	C _v	Size	C _v
1/2"	16	3/4"	27	1"	42

MAX TORQUE

Size	in/lb	Size	in/lb	Size	in/lb
1/2"	100	3/4"	130	1"	150

PRESSURE vs. TEMPERATURE CHART



Style BVF1

Ball Valve

Carbon Steel (ASTM A 216, Grade WCB)

150 lb. & 300 lb. Flanged

Stainless Steel (ASTM A 351, Grade CF8M)

150 lb. & 300 lb. Flanged



Unibody Flanged Ball Valve

1-1/2" - 6"

APPLICATIONS

Industrial and Oil/Gas piping applications requiring ASME Class 150 or 300 flanged end ball valves with one-piece body construction.

CONSTRUCTION

The Keckley Style BVF1 Unibody flanged end ball valves are constructed from rugged investment castings that are machined to exacting specifications. Unibody construction provides high structural strength and minimizes external leak paths.

FEATURES

- Unibody Construction
- Fully Compliant to ASME B16.34
- Fully Compliant to API 608
- API 607 6th Edition Fire-Safe
- All Models are NACE MR0175 Compliant
- Submerged Packing System & Direct-Mount Actuation
- Standard ISO Actuator Mounting Pads on All Sizes
- Standard Locking Stainless Steel Handles
- Second Generation PTFE Seats Provide Higher Operating Temperatures
- Standard Electrically Grounded Ball & Stem

ORDERING

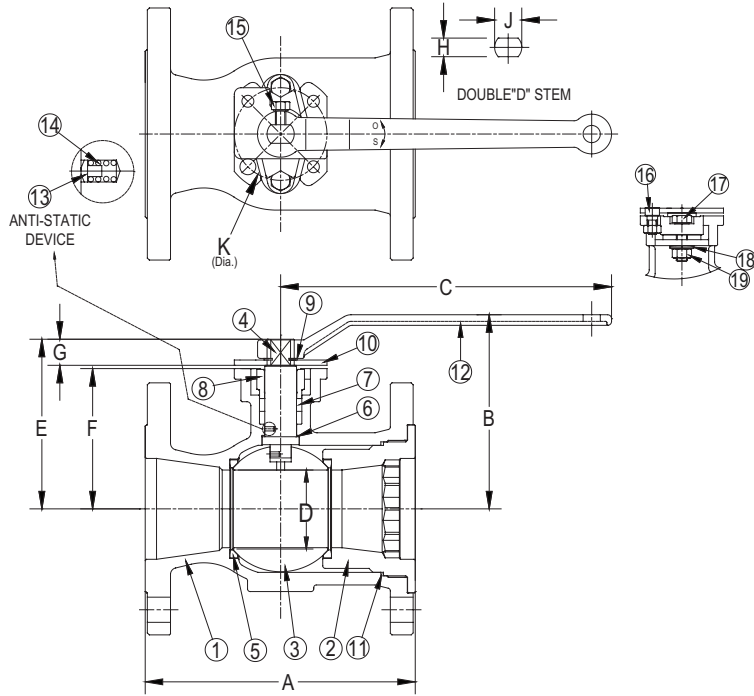
Reference *How to Order BVF1 Ball Valves* for building the Keckley Product Number.

WORKING PRESSURES - NON SHOCK

NOM. RATING	MATERIAL	MEDIA	1-1/2" to 6"	40 mm to 150 mm
ASME CLASS 150	A 216, WCB	W.O.G.	285 PSI @ 100°F	1965 KPa @ 38°C
		Saturated Steam (WSP)	200 PSI @ 388°F	1379 KPa @ 198°C
	MATERIAL	MEDIA	1-1/2" to 6"	40 mm to 150 mm
	A 351, CF8M	W.O.G.	275 PSI @ 100°F	1896 KPa @ 38°C
Saturated Steam (WSP)		195 PSI @ 386°F	1344 KPa @ 197°C	
NOM. RATING	MATERIAL	MEDIA	1-1/2" to 6"	40 mm to 150 mm
ASME CLASS 300	A 216, WCB	W.O.G.	740 PSI @ 100°F	5102 KPa @ 38°C
		Saturated Steam (WSP)	250 PSI @ 406°F	1724 KPa @ 208°C
	MATERIAL	MEDIA	1-1/2" to 6"	40 mm to 150 mm
	A 351, CF8M	W.O.G.	720 PSI @ 100°F	4964 KPa @ 38°C
Saturated Steam (WSP)		250 PSI @ 406°F	1724 KPa @ 208°C	

Style BVF1

Unibody Flanged Ball Valve



PARTS LIST			
ITEM	DESCRIPTION	MATERIAL	
1	Body	A 216, WCB	A 351, CF8M
2	Tailpiece	A 216, WCB	A 351, CF8M
3	Ball	A 351, CF8M or 316SS	A 351, CF8M or 316SS
4	Stem	A 276, 316	A 276, 316
5	Seat (2)	R-PTFE	R-PTFE
6	Thrust Washer	PTFE	PTFE
7	Stem Packing	Graphite	Graphite
8	Packing Gland	A 351, CF8M	A 351, CF8M
9	Retaining Ring	300 Series SS	300 Series SS
10	Lock Plate	304SS	304SS
11	Body Gasket	Graphite	Graphite
12	Handle Assembly	300 Series SS	300 Series SS
13	Grounding Ball (2)	304SS	304SS
14	Grounding Spring (2)	304SS	304SS
15	Handle Bolt	304SS	304SS
16	Stop Bolt	304SS	304SS
17	Packing Bolt (2)	A 193, B8	A 193, B8
18	Belleville Washers	300 Series SS	300 Series SS
19	Packing Nut (2)	A 194, Grade 8	A 194, Grade 8

SIZE		DIMENSIONS															
		A				B				C		D		E			
		150 lb.		300 lb.		150 lb.		300 lb.		150 lb. & 300 lb.		150 lb. & 300 lb.		150 lb.		300 lb.	
in	mm	in	mm	in	mm	in	mm	in	mm	in	mm	in	mm	in	mm	in	mm
1-1/2	40	6.5	165.1	7.50	190.5	4.07	103.38	4.07	103.38	10.02	254.51	1.19	30.23	3.33	84.58	3.33	84.58
2	50	7.0	177.8	8.50	215.9	4.61	117.09	4.83	122.68	10.02	254.51	1.50	38.10	3.87	98.30	4.08	103.63
*2-1/2	65	7.5	190.5	N/A		5.35	135.89	N/A		10.02	254.51	2.00	50.80	4.61	117.09	N/A	
3	80	8.0	203.2	11.12	284.5	5.73	145.54	5.73	145.54	10.02	254.51	2.31	58.67	4.99	126.75	4.99	126.75
4	100	9.0	228.6	12.00	304.8	6.71	170.43	6.99	177.55	18.11	459.99	2.99	75.95	6.14	155.96	6.42	163.07
6	150	10.5	266.7	15.88	403.4	8.43	214.12	8.43	214.12	18.11	459.99	4.49	114.05	7.85	199.39	7.85	199.69

SIZE		DIMENSIONS												ISO PATTERN		
		F				G		H		J		K				
		150 lb.		300 lb.		150 lb. & 300 lb.		150 lb. & 300 lb.		150 lb. & 300 lb.		150 lb. & 300 lb.				
in	mm	in	mm	in	mm	in	mm	in	mm	in	mm	in	mm	in	mm	
1-1/2	40	2.51	63.75	2.55	64.77	0.76	19.30	0.55	13.97	0.71	18.03	2.76	70.0		F07	
2	50	3.07	77.98	3.29	83.57	0.76	19.30	0.55	13.97	0.71	18.03	2.76	70.0		F07	
*2-1/2	65	3.80	96.52	N/A		0.76	19.30	0.55	13.97	0.71	18.03	2.76	70.0		F07	
3	80	4.17	105.92	4.17	105.92	0.76	19.30	0.55	13.97	0.71	18.03	2.76	70.0		F07	
4	100	4.84	122.94	5.12	130.05	1.26	32.00	0.67	17.02	1.03	26.16	4.02	102.0		F10	
6	150	6.50	165.10	6.50	165.10	1.26	32.00	0.67	17.02	1.03	26.16	4.02 & 4.92	102.0 & 125.0		F10 & F12	

*2-1/2" only offered in 150lb Class.

Certified dimensional drawings are available upon request.

†This table reflects only the nearest metric equivalents.

WEIGHTS

Size	1-1/2"	2"	2-1/2"	3"	4"	6"	
150	lbs	12.5	18.5	27.0	33.0	61.0	99.0
	kgs	5.7	8.4	12.2	15.0	27.7	44.9
300	lbs	20.0	24.0	N/A	49.0	83.0	157.0
	kgs	9.1	10.9	N/A	22.2	37.6	71.2

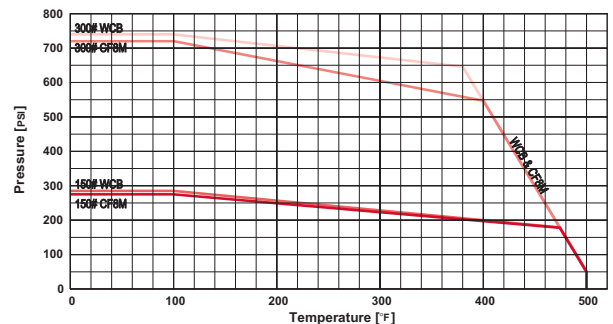
FLOW COEFFICIENTS

Size	C _v	Size	C _v	Size	C _v
1-1/2"	100	2-1/2"	285	4"	610
2"	145	3"	425	6"	920

MAX TORQUE

Size	in/lb	Size	in/lb	Size	in/lb
1-1/2"	250	2-1/2"	475	4"	1000
2"	400	3"	550	6"	1700

PRESSURE vs. TEMPERATURE CHART



Style BVF2

Ball Valve

Carbon Steel (ASTM A 216, Grade WCB)

150 lb. & 300 lb. Flanged

Stainless Steel (ASTM A 351, Grade CF8M)

150 lb. & 300 lb. Flanged



Split-Body Full Port Flanged Ball Valve

½" - 1" Class 150

½" - 1" Class 300

APPLICATIONS

Industrial and Oil/Gas piping applications requiring the higher flow capacity and lower pressure drop of full port internal flow-ways, and those applications where ease of reparability is desired.

CONSTRUCTION

The Keckley Style BVF2 Split-Body full port flanged end ball valves employ investment cast bodies & tailpieces, all produced from ASTM grade materials that are properly heat treated and chemically finished. All wall thicknesses comply with ASME B16.34 as do bolting stress levels.

FEATURES

- 2-Piece Bolted Body, Full Port Construction
- Fully Compliant to ASME B16.34
- Fully Compliant to API 608
- API 607 6th Edition Fire-Safe
- All Models are NACE MR0175 Compliant
- Elongated Packing Gland for Ease of Access When Automated
- Standard ISO Actuator Mounting Pads on All Sizes
- Standard Locking Stainless Steel Handles
- Second Generation PTFE Seats Provide Higher Operating Temperatures
- Standard Electrically Grounded Ball & Stem
- Optional Oval Handles

ORDERING

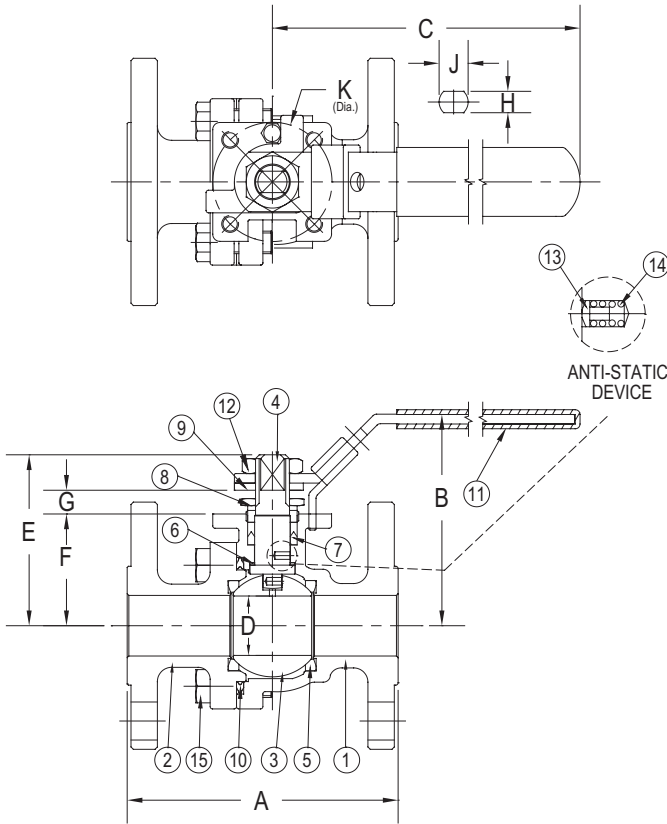
Reference *How to Order BVF2 Ball Valves* for building the Keckley Product Number.

WORKING PRESSURES - NON SHOCK

NOM. RATING	MATERIAL	MEDIA	½" to 1"	15 mm to 25 mm
ASME CLASS 150	A 216, WCB	W.O.G.	285 PSI @ 100°F	1965 KPa @ 38°C
		Saturated Steam (WSP)	200 PSI @ 388°F	1379 KPa @ 198°C
	MATERIAL	MEDIA	½" to 1"	15 mm to 25 mm
	A 351, CF8M	W.O.G.	275 PSI @ 100°F	1896 KPa @ 38°C
Saturated Steam (WSP)		195 PSI @ 386°F	1344 KPa @ 197°C	
NOM. RATING	MATERIAL	MEDIA	½" to 1"	15 mm to 25 mm
ASME CLASS 300	A 216, WCB	W.O.G.	740 PSI @ 100°F	5102 KPa @ 38°C
		Saturated Steam (WSP)	250 PSI @ 406°F	1724 KPa @ 208°C
	MATERIAL	MEDIA	½" to 1"	15 mm to 25 mm
	A 351, CF8M	W.O.G.	720 PSI @ 100°F	4964 KPa @ 38°C
Saturated Steam (WSP)		250 PSI @ 406°F	1724 KPa @ 208°C	

Style BVF2

Split-body Flanged Ball Valve



PARTS LIST			
ITEM	DESCRIPTION	MATERIAL	
1	Body	A 216, WCB	A 351, CF8M
2	Tailpiece	A 216, WCB	A 351, CF8M
3	Ball	A 351, CF8M or 316SS	A 351, CF8M or 316SS
4	Stem	A 276, 316	A 276, 316
5	Seat (2)	R-PTFE	R-PTFE
6	Thrust Washer	PTFE	PTFE
7	Stem Packing	Graphite	Graphite
8	Packing Gland	A 351, CF8M	A 351, CF8M
9	Lock Plate	300 Series SS	300 Series SS
10	Body Gasket	Graphite	Graphite
11	Handle	300 Series SS	300 Series SS
12	Handle Nut	300 Series SS	300 Series SS
13	Grounding Pin (2)	316SS	316SS
14	Grounding Spring (2)	300 Series SS	300 Series SS
15	Body Bolt (4)	A 193, B7	A 193, B8
16	Stop Bolt	304SS	304SS

SIZE		DIMENSIONS															
		A				B				C		D		E		F	
		150 lb.		300 lb.		150 lb.		300 lb.		150 lb. & 300 lb.		150 lb. & 300 lb.		150 lb. & 300 lb.		150 lb. & 300 lb.	
in	mm	in	mm	in	mm	in	mm	in	mm	in	mm	in	mm	in	mm	in	mm
1/2	15	4.25	108	5.50	140	2.78	70.5	2.78	70.5	5.17	131.4	0.59	15.0	2.09	53.1	1.34	34.0
3/4	20	4.62	117	6.00	152	3.07	78.0	3.03	77.0	6.97	177.0	0.81	20.6	2.57	65.3	1.54	39.0
1	25	5.00	127	6.50	165	3.45	87.6	3.46	87.8	7.76	197.0	1.00	25.4	2.85	72.4	1.85	47.0

Certified dimensional drawings are available upon request.
 *This table reflects only the nearest metric equivalents.

SIZE		DIMENSIONS										WEIGHTS			
		G		H		J		K		ISO PATTERN	150 lb.		300 lb.		
		in	mm	in	mm	in	mm	in	mm		lbs	kgs	lbs	kgs	
1/2	15	0.35	8.9	0.20	5.0	0.31	7.9	1.65	42.0	F04	3.5	1.6	5.3	2.4	
3/4	20	0.43	10.9	0.28	7.0	0.44	11.1	1.65	42.0	F04	5.3	2.4	8.1	3.7	
1	25	0.40	10.2	0.35	9.0	0.57	14.4	1.97	50.0	F05	7.3	3.3	11.0	5.0	

Certified dimensional drawings are available upon request.
 *This table reflects only the nearest metric equivalents.

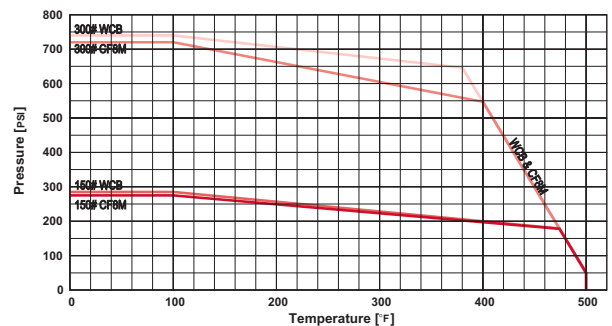
FLOW COEFFICIENTS

Size	C _v	Size	C _v	Size	C _v
1/2"	23	3/4"	40	1"	62

MAX TORQUE

Size	in/lb	Size	in/lb	Size	in/lb
1/2"	70	3/4"	100	1"	200

PRESSURE vs. TEMPERATURE CHART



Style BVF2

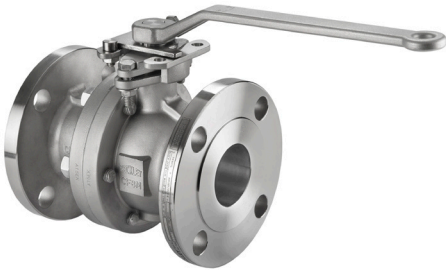
Ball Valve

Carbon Steel (ASTM A 216, Grade WCB)

150 lb. & 300 lb. Flanged

Stainless Steel (ASTM A 351, Grade CF8M)

150 lb. & 300 lb. Flanged



Split-Body Full Port Flanged Ball Valve

1½" - 8" Class 150

1½" - 6" Class 300

APPLICATIONS

Industrial and Oil/Gas piping applications requiring the higher flow capacity and lower pressure drop of full port internal flow-ways, and those applications where ease of reparability is desired.

CONSTRUCTION

The Keckley Style BVF2 Split-Body full port flanged end ball valves employ investment cast and shell cast bodies & tailpieces, all produced from ASTM grade materials that are properly heat treated and chemically finished. All wall thicknesses comply with ASME B16.34 as do bolting stress levels.

FEATURES

- 2-Piece Bolted Body, Full Port Construction
- Fully Compliant to ASME B16.34
- Fully Compliant to API 608
- API 607 6th Edition Fire-Safe
- All Models are NACE MR0175 Compliant
- Submerged Packing System & Direct Mount Actuation
- Standard ISO Actuator Mounting Pads on All Sizes
- Standard Locking Stainless Steel Handles
- Second Generation PTFE Seats Provide Higher Operating Temperatures
- Standard Electrically Grounded Ball & Stem
- All Sizes use Body Studs & Nuts for Ease of Disassembly

ORDERING

Reference *How to Order BVF2 Ball Valves* for building the Keckley Product Number.

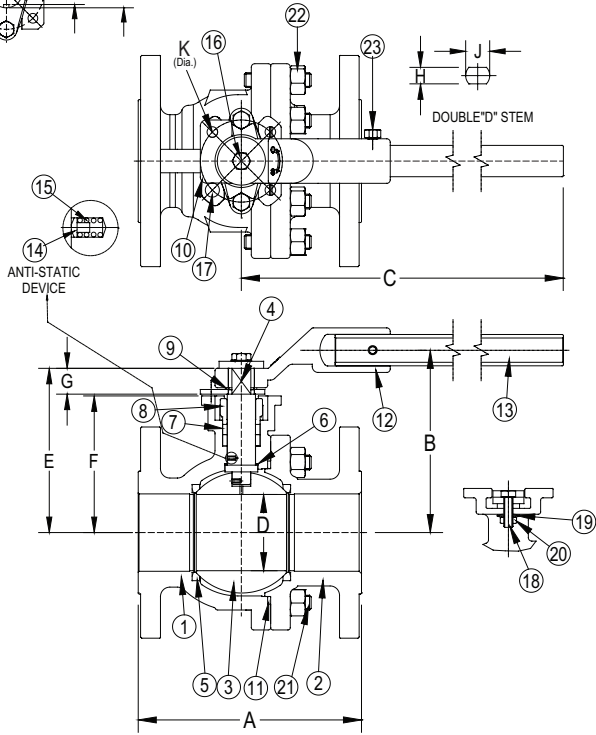
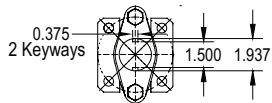
WORKING PRESSURES - NON SHOCK

NOM. RATING	MATERIAL	MEDIA	1½" to 8"	40 mm to 200 mm
ASME CLASS 150	A 216, WCB	W.O.G.	285 PSI @ 100°F	1965 KPa @ 38°C
		Saturated Steam (WSP)	200 PSI @ 388°F	1379 KPa @ 198°C
	MATERIAL	MEDIA	1½" to 8"	40 mm to 200 mm
	A 351,CF8M	W.O.G.	275 PSI @ 100°F	1896 KPa @ 38°C
Saturated Steam (WSP)		195 PSI @ 386°F	1344 KPa @ 197°C	
NOM. RATING	MATERIAL	MEDIA	1½" to 6"	40 mm to 150 mm
ASME CLASS 300	A 216, WCB	W.O.G.	740 PSI @ 100°F	5102 KPa @ 38°C
		Saturated Steam (WSP)	250 PSI @ 406°F	1724 KPa @ 208°C
	MATERIAL	MEDIA	1½" to 6"	40 mm to 150 mm
	A 351, CF8M	W.O.G.	720 PSI @ 100°F	4964 KPa @ 38°C
Saturated Steam (WSP)		250 PSI @ 406°F	1724 KPa @ 208°C	



TECHNICAL DATA
DIMENSIONS AND WEIGHTS

8" Class 150 Stem Design



Style BVF2

Split-body Flanged Ball Valve

PARTS LIST			
ITEM	DESCRIPTION	MATERIAL	
1	Body	A 216, WCB	A 351, CF8M
2	Tailpiece	A 216, WCB	A 351, CF8M
3	Ball	A 351, CF8M or 316SS	A 351, CF8M or 316SS
4	Stem	A 276, 316	A 276, 316
5	Seat (2)	R-PTFE	R-PTFE
6	Thrust Washer	PTFE	PTFE
7	Stem Packing	Graphite	Graphite
8	Packing Gland	A 351, CF8M	A 351, CF8M
9	Retaining Ring	300 Series SS	300 Series SS
10	Lock Plate	304SS	304SS
11	Body Gasket	Graphite	Graphite
12	Handle	300 Series SS	300 Series SS
13	Handle Extension*	Carbon Steel	Carbon Steel
14	Grounding Ball (2)	316SS	316SS
15	Grounding Spring (2)	304SS	304SS
16	Handle Bolt	304SS	304SS
17	Stop Bolt	304SS	304SS
18	Packing Bolt (2)	A 193, B8	A 193, B8
19	Belleville Washers	300 Series SS	300 Series SS
20	Packing Nut (2)	A 194, 8	A 194, 8
21	Body Stud Bolts	A 193, B7	A 193, B8
22	Body Nuts	A 194, 2H	A 194, 8
23	Handle Ext. Bolt*	304SS	304SS

Note: Size 2-1/2" to 6" only.

SIZE	DIMENSIONS																		
	A		B		C		D		E										
	150 lb.	300 lb.	150 lb.	300 lb.	150 lb.	300 lb.	150 lb. & 300 lb.	150 lb.	300 lb.										
1-1/2	in 40	mm 6.5	in 165.1	mm 7.50	in 190.5	mm 4.88	in 123.95	mm 4.96	in 125.98	in 10.02	mm 254.51	in 10.02	mm 254.51	in 2.00	mm 50.8	in 4.45	mm 113.03	in 4.53	mm 115.06
2	in 50	mm 7.0	in 177.8	mm 8.50	in 215.9	mm 5.20	in 132.08	mm 5.30	in 134.62	in 10.02	mm 254.51	in 10.02	mm 254.51	in 2.00	mm 50.8	in 4.45	mm 113.03	in 4.53	mm 115.06
*2-1/2	in 65	mm 7.5	in 190.5	N/A		in 6.12	mm 155.45	N/A		in 15.94	mm 404.88	N/A		in 2.50	mm 63.5	in 5.51	mm 139.95	N/A	
3	in 80	mm 8.0	in 203.2	in 11.12	mm 284.5	in 6.81	mm 172.97	in 6.23	mm 158.24	in 15.94	mm 404.88	in 15.94	mm 404.88	in 3.00	mm 76.2	in 6.20	mm 157.48	in 6.20	mm 157.48
4	in 100	mm 9.0	in 228.6	in 12.00	mm 304.8	in 7.72	mm 196.09	in 7.31	mm 185.67	in 18.11	mm 459.99	in 18.11	mm 459.99	in 4.00	mm 101.6	in 7.16	mm 181.86	in 7.16	mm 181.86
6	in 150	mm 15.5	in 393.7	in 15.88	mm 403.4	in 9.88	mm 250.95	in 9.55	mm 242.57	in 24.02	mm 610.11	in 24.61	mm 625.09	in 6.00	mm 152.4	in 9.35	mm 237.49	in 9.35	mm 237.49
*8	in 200	mm 18.0	in 457.2	N/A		N/A		N/A		N/A		in 8.00	mm 203.2	in 13.33	mm 338.58	N/A		N/A	

SIZE	DIMENSIONS														ISO PATTERN			
	F		G		H		J		K									
	150 lb.	300 lb.	150 lb. & 300 lb.	150 lb.	300 lb.	150 lb.	300 lb.	150 lb. & 300 lb.	150 lb. & 300 lb.									
1-1/2	in 40	mm 3.35	in 85.09	in 3.43	mm 87.12	in 0.77	mm 19.56	in 0.55	mm 13.97	in 0.55	mm 13.97	in 0.71	mm 18.03	in 0.71	mm 18.03	in 2.76	mm 70.0	F07
2	in 50	mm 3.64	in 92.46	in 3.72	mm 94.49	in 0.77	mm 19.56	in 0.55	mm 13.97	in 0.55	mm 13.97	in 0.71	mm 18.03	in 0.71	mm 18.03	in 2.76	mm 70.0	F07
*2-1/2	in 65	mm 4.59	in 116.59	N/A		in 0.87	mm 22.10	in 0.67	mm 17.02	N/A		in 0.87	mm 22.10	N/A		in 2.76	mm 70.0	F07
3	in 80	mm 5.28	in 134.11	in 5.28	mm 134.11	in 0.87	mm 22.10	in 0.67	mm 17.02	in 0.67	mm 17.02	in 0.87	mm 22.10	in 0.87	mm 22.10	in 2.76	mm 70.0	F07
4	in 100	mm 6.18	in 156.97	in 6.18	mm 156.97	in 0.91	mm 23.11	in 0.67	mm 17.02	in 0.67	mm 17.02	in 1.03	mm 26.16	in 1.03	mm 26.16	in 4.02	mm 102.0	F10
6	in 150	mm 7.80	in 198.12	in 7.80	mm 198.12	in 1.50	mm 38.10	in 0.91	mm 23.11	in 0.91	mm 23.11	in 1.37	mm 34.80	in 1.37	mm 34.80	in 4.02 & 4.92	mm 102.0 & 125.0	F10 & F12
8	in 200	mm 10.45	in 265.43	N/A		in 2.87	mm 72.90	N/A		N/A		N/A		in 5.51	mm 140	N/A		F14

*2-1/2" & 8" only offered in 150lb Class.

Certified dimensional drawings are available upon request.

*This table reflects only the nearest metric equivalents.

WEIGHTS

Size	1-1/2"	2"	2-1/2"	3"	4"	6"	8"
150	lbs	15.4	21.8	37.0	47.1	83.6	178.9
	kgs	7.0	9.9	16.8	21.4	37.9	81.1
300	lbs	25.5	32.0	N/A	74.0	122.7	262.0
	kgs	11.6	14.5	N/A	33.6	55.7	118.8

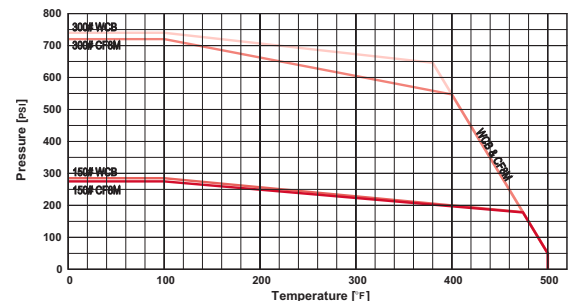
MAX TORQUES (in/lb)

Size	1-1/2"	2"	2-1/2"	3"	4"	6"	8"
150 lb	300	400	600	1000	2000	3800	8000
300 lb	300	400	N/A	1000	2000	3800	N/A

FLOW COEFFICIENTS

Size	C _v
1-1/2"	285
2"	500
2-1/2"	550
3"	1300
4"	2500
6"	5250
8"	10400

PRESSURE vs. TEMPERATURE CHART



Style BVF2

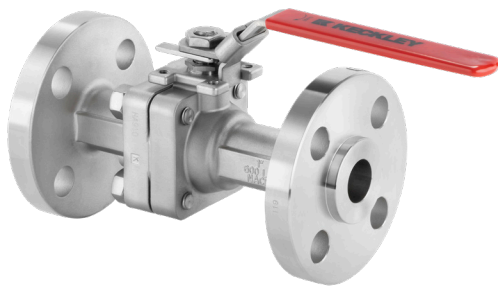
Ball Valve

Carbon Steel (ASTM A 216, Grade WCB)

600 lb. Flanged

Stainless Steel (ASTM A 351, Grade CF8M)

600 lb. Flanged



Split-Body Full Port Flanged Ball Valve

1" Class 600

APPLICATIONS

Industrial and Oil/Gas piping applications requiring the higher flow capacity and lower pressure drop of full port internal flow-ways, and those applications where ease of reparability is desired.

CONSTRUCTION

The Keckley Style BVF2 Split-Body full port flanged end ball valves employ investment cast bodies & tailpieces, all produced from ASTM grade materials that are properly heat treated and chemically finished. All wall thicknesses comply with ASME B16.34 as do bolting stress levels.

FEATURES

- 2-Piece Bolted Body, Full Port Construction
- Fully Compliant to ASME B16.34
- Fully Compliant to API 608
- API 607 6th Edition Fire-Safe
- All Models are NACE MR0175 Compliant
- Elongated Packing Gland for Ease of Access When Automated
- Standard ISO Actuator Mounting Pads on All Sizes
- Standard Locking Stainless Steel Handles
- Second Generation PTFE Seats Provide Higher Operating Temperatures
- Standard Electrically Grounded Ball & Stem
- Optional Oval Handles

ORDERING

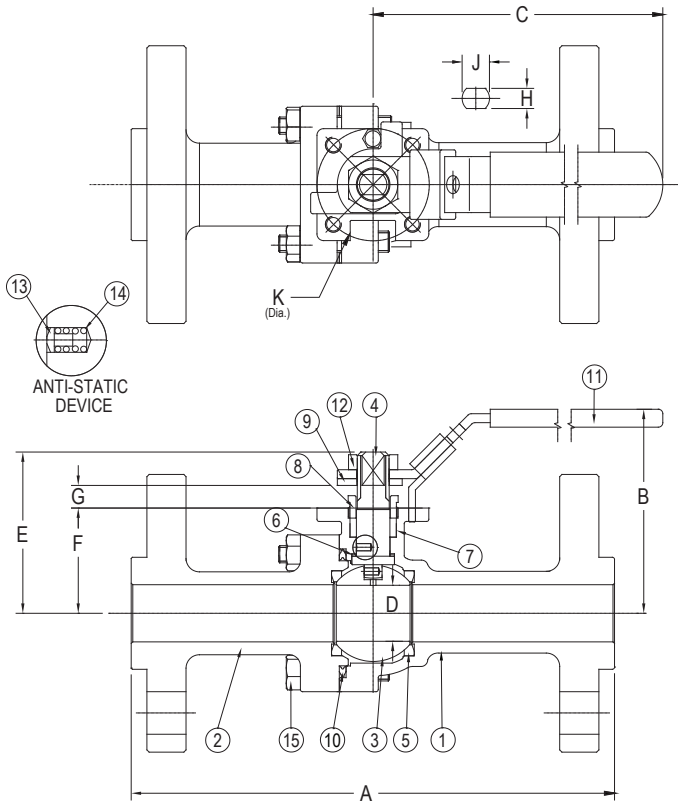
Reference *How to Order BVF2 Ball Valves* for building the Keckley Product Number.

WORKING PRESSURES - NON SHOCK

NOM. RATING	MATERIAL	MEDIA	1"	25 mm
ASME CLASS 600	A 216, WCB	W.O.G.	1480 PSI @ 100°F	10204 KPa @ 38°C
		Saturated Steam (WSP)	250 PSI @ 406°F	1724 KPa @ 208°C
	MATERIAL	MEDIA	1"	25 mm
	A 351, CF8M	W.O.G.	1440 PSI @ 100°F	9928 KPa @ 38°C
Saturated Steam (WSP)		250 PSI @ 406°F	1724 KPa @ 208°C	

Style BVF2

Split-body Flanged Ball Valve



PARTS LIST			
ITEM	DESCRIPTION	MATERIAL	
1	Body	A 216, WCB	A 351, CF8M
2	Tailpiece	A 216, WCB	A 351, CF8M
3	Ball	A 351, CF8M or 316SS	A 351, CF8M or 316SS
4	Stem	A 276, 316	A 276, 316
5	Seat (2)	R-PTFE	R-PTFE
6	Thrust Washer	PTFE	PTFE
7	Stem Packing	Graphite	Graphite
8	Packing Gland	A 351, CF8M	A 351, CF8M
9	Lock Plate	300 Series SS	300 Series SS
10	Body Gasket	Graphite	Graphite
11	Handle	300 Series SS	300 Series SS
12	Handle Nut	300 Series SS	300 Series SS
13	Grounding Pin (2)	316SS	316SS
14	Grounding Spring (2)	300 Series SS	300 Series SS
15	Body Bolt (4)	A 193, B7	A 193, B8
16	Stop Bolt	304SS	304SS

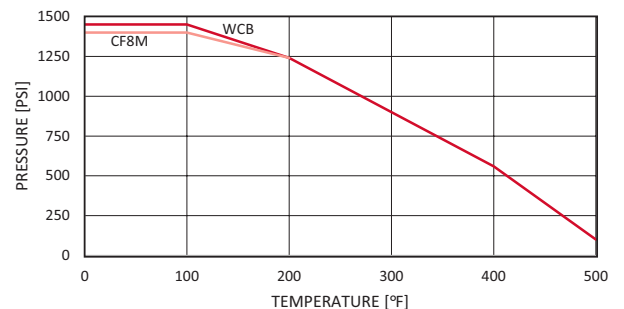
SIZE		DIMENSIONS											
		A		B		C		D		E		F	
		600 lb.		600 lb.		600 lb.		600 lb.		600 lb.		600 lb.	
in	mm	in	mm	in	mm	in	mm	in	mm	in	mm	in	mm
1	25	8.5	21.6	3.6	91	7.7	196	1.00	25.4	2.8	72	1.85	47

Certified dimensional drawings are available upon request.
 †This table reflects only the nearest metric equivalents.

SIZE		DIMENSIONS								ISO PATTERN	FLOW COEFFICIENT	MAX TORQUE	WEIGHTS	
		G		H		J		K					600 lb.	
		in	mm	in	mm	in	mm	in	mm				lbs	kgs
1	25	0.39	10.0	0.35	9.0	0.57	14.4	1.97	50.0	F05	62	200	12.5	5.7

Certified dimensional drawings are available upon request.
 †This table reflects only the nearest metric equivalents.

PRESSURE vs. TEMPERATURE CHART



Style BVF2

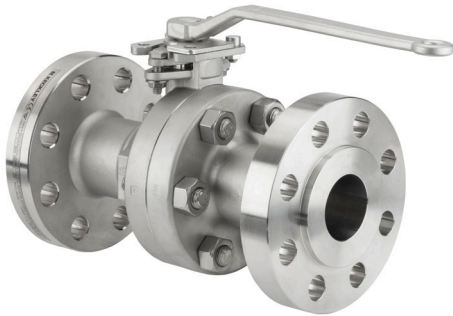
Ball Valve

Carbon Steel (ASTM A 216, Grade WCB)

600 lb. Flanged

Stainless Steel (ASTM A 351, Grade CF8M)

600 lb. Flanged



Split-Body Full Port Flanged Ball Valve

1½" - 4" Class 600 FP and 6" RP

APPLICATIONS

Industrial and Oil/Gas piping applications requiring the higher flow capacity and lower pressure drop of full port internal flow-ways, and those applications where ease of reparability is desired.

CONSTRUCTION

The Keckley Style BVF2 Split-Body full port flanged end ball valves employ investment or shell cast bodies & tailpieces, all produced from ASTM grade materials that are properly heat treated and chemically finished. All wall thicknesses comply with ASME B16.34 as do bolting stress levels.

FEATURES

- 2-Piece Bolted Body, Full Port Construction
- Fully Compliant to ASME B16.34
- Fully Compliant to API 608
- API 607 6th Edition Fire-Safe
- All Models are NACE MR0175 Compliant
- Submerged Packing System & Direct Mount Actuation
- Standard ISO Actuator Mounting Pads on All Sizes
- Standard Locking Stainless Steel Handles
- Second Generation PTFE Seats Provide Higher Operating Temperatures
- Standard Electrically Grounded Ball & Stem

ORDERING

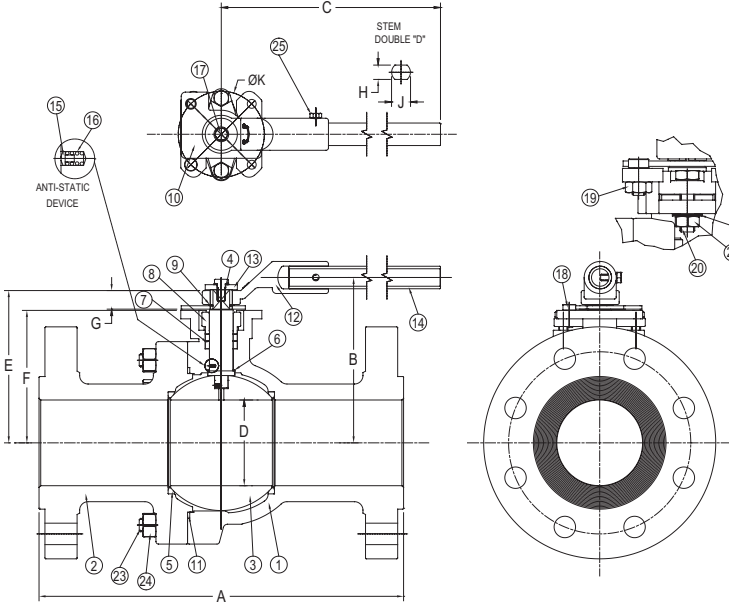
Reference *How to Order BVF2 Ball Valves* for building the Keckley Product Number.

WORKING PRESSURES - NON SHOCK

NOM. RATING	MATERIAL	MEDIA	1½" to 4"	40 mm to 100 mm
ASME CLASS 600	A 216, WCB	W.O.G.	1480 PSI @ 100°F	10204 KPa @ 38°C
		Saturated Steam (WSP)	250 PSI @ 406°F	1724 KPa @ 208°C
	MATERIAL	MEDIA	1½" to 4"	40 mm to 100 mm
	A 351, CF8M	W.O.G.	1440 PSI @ 100°F	9928 KPa @ 38°C
Saturated Steam (WSP)		250 PSI @ 406°F	1724 KPa @ 208°C	

Style BVF2

Split-body Flanged Ball Valve



PARTS LIST			
ITEM	DESCRIPTION	MATERIAL	
1	Body	A 216, WCB	A 351, CF8M
2	Tailpiece	A 216, WCB	A 351, CF8M
3	Ball	A 351, CF8M	A 351, CF8M
4	Stem	A 276, 316	A 276, 316
5	Seat (2)	R-PTFE	R-PTFE
6	Thrust Washer	R-PTFE	R-PTFE
7	Stem Packing	Graphite	Graphite
8	Packing Gland	A 351, CF8M	A 351, CF8M
9	Retaining Ring	300 Series SS	300 Series SS
10	Lock Plate	304SS	304SS
11	Body Gasket	304SS & Graphite	304SS & Graphite
12	Handle	A 351, CF8M	A 351, CF8M
13	Handle Washer	304SS	304SS
14	Handle Extension	Carbon Steel	Carbon Steel
15	Grounding Ball (2)	316SS	316SS
16	Grounding Spring (2)	304SS	304SS
17	Handle Bolt	304SS	304SS
18	Stop Bolt	304SS	304SS
19	Stop Bolt Nut	304SS	304SS
20	Packing Bolt (2)	A 193, B8	A 193, B8
21	Belleville Washers	300 Series SS	300 Series SS
22	Packing Nut (2)	A 194, 8	A 194, 8
23	Body Stud Bolts	A 193, B7	A 193, B8
24	Body Nuts	A 194, 2H	A 194, 8
25	Handle Ext. Bolt	304SS	304SS

SIZE		DIMENSIONS													
		A (RF)		A (RTJ)		B		C		D		E		F	
		600 lb.		600 lb.		600 lb.		600 lb.		600 lb.		600 lb.		600 lb.	
in	mm	in	mm	in	mm	in	mm	in	mm	in	mm	in	mm	in	mm
1-1/2	40	9.5	241.3	9.5	241.3	5.0	127.0	10.0	254.0	1.5	38.1	4.2	106.7	3.4	86.4
2	50	11.5	292.1	11.62	295.2	5.6	142.2	10.0	254.0	2.0	50.8	4.9	124.5	4.1	104.1
3	80	14.0	355.6	14.12	358.7	7.2	182.9	18.1	459.7	3.0	76.2	6.6	167.6	5.7	144.8
4	100	17.0	431.8	17.12	434.9	9.2	233.7	46.2	1173.5	4.0	101.6	8.6	218.4	7.1	180.3
6	150	22.0	558.8	22.12	561.9	9.6	243.8	46.2	1173.5	4.0	101.6	9.1	231.1	7.5	190.5

Certified dimensional drawings are available upon request.

SIZE		DIMENSIONS										WEIGHTS	
		G		H		J		K		ISO PATTERN			
		in	mm	in	mm	in	mm	in	mm		in	mm	lbs
1-1/2	40	0.77	19.5	0.55	14.00	0.71	18.1	2.76	70.0	F07	25.5	11.6	
2	50	0.77	19.5	0.55	14.00	0.71	18.1	2.76	70.0	F07	32.0	14.5	
3	80	0.93	23.5	0.67	17.02	1.03	26.1	4.02	102.0	F10	74.0	33.6	
4	100	1.50	38.0	0.91	23.11	1.37	34.8	4.92	125.0	F12	122.7	55.7	
6	150	1.50	38.0	0.91	23.11	1.37	34.8	4.92	125.0	F12	280.0	127.0	

Certified dimensional drawings are available upon request.

FLOW COEFFICIENTS

Size	C _v	Size	C _v
1-1/2"	285	4"	2500
2"	500	6"	2000
3"	1300		

MAX TORQUE

Size	in/lb	Size	in/lb
1-1/2"	450	4"	3600
2"	750	6"	3600
3"	1400		

PRESSURE vs. TEMPERATURE CHART

